

# Product Information Sheet

COMMISSION DELEGATED REGULATION (EU) 2019/2015 with regard to energy labelling of light sources

**Supplier's name or trade mark:** Source

**Supplier's address:** SGD Limited, Unit 7/8 Ashbourne Business Centre, Ballybin Road, Ashbourne, Co. Meath. A84 YP58. Ireland.

**Model identifier:** SSCH58W5FT

## Type of light source:

Lighting technology used:	LED	Non-directional or directional:	NDLS
Light source cap-type (or other electric interface)	SMD		
Mains or non-mains:	MLS	Connected light source (CLS):	No
Colour-tuneable light source:	No	Envelope:	-
High luminance light source:	No		
Anti-glare shield:	No	Dimmable:	No

## Product parameters

Parameter	Value	Parameter	Value
-----------	-------	-----------	-------

### General product parameters:

Energy consumption in on-mode (kWh/1000 h), rounded up to the nearest integer	58	Energy efficiency class	E
Useful luminous flux ( $\phi_{use}$ ), indicating if it refers to the flux in a sphere (360°), in a wide cone (120°) or in a narrow cone (90°)	6 900 in Sphere (360°)	Correlated colour temperature, rounded to the nearest 100 K, or the range of correlated colour temperatures, rounded to the nearest 100 K, that can be set	3 000 or 4 000 or 6 000
On-mode power ( $P_{on}$ ), expressed in W	58,0	Standby power ( $P_{sb}$ ), expressed in W and rounded to the second decimal	0,50
Networked standby power ( $P_{net}$ ) for CLS, expressed in W and rounded to the second decimal	-	Colour rendering index, rounded to the nearest integer, or the range of CRI-values that can be set	87
Outer dimensions without separate control gear, light-	Height	199	Spectral power distribution in the range 250 nm to 800 nm, at full-load
	Width	1 522	
	Depth	82	
			See image in last page

ing control parts and non-lighting control parts, if any (millimetre)			
Claim of equivalent power <sup>(a)</sup>	-	If yes, equivalent power (W)	-
		Chromaticity coordinates (x and y)	0,367 0,394
<b>Parameters for LED and OLED light sources:</b>			
R9 colour rendering index value	34	Survival factor	1,00
the lumen maintenance factor	0,96		
<b>Parameters for LED and OLED mains light sources:</b>			
displacement factor (cos $\phi_1$ )	0,90	Colour consistency in McAdam ellipses	5
Claims that an LED light source replaces a fluorescent light source without integrated ballast of a particular wattage.	-(b)	If yes then replacement claim (W)	-
Flicker metric (Pst LM)	1,0	Stroboscopic effect metric (SVM)	0,0

(a): not applicable;

(b): not applicable;

# Installation Manual

## LED Multi Watt CCT Schoolhouse Batten

PRODUCT CODE: SSCH58W5FT,  
SSCH58W5FT-EM



Please read instructions carefully.  
This product should only be installed by a qualified electrician  
Please retain these instructions for future reference.  
This fitting is Class 1 and must be earthed.

### Important Information

This light fitting must be installed by a qualified electrician. Ensure that the installation complies with current IEE wiring regulations and local building control. These products are designed for connection to a 240V 50Hz supply. Any broken or damaged parts should be replaced as soon as possible. We will not accept responsibility for any claims arising from a poor installation.

### Important User Advice

Always switch off mains supply before servicing

### General Maintenance

General maintenance and cleaning should be performed at least half annually.  
Clean outside of product with a damp cloth, the glass with hot soapy water, dried and buffed to a shine. After any maintenance, remember to check that all seals are intact. Grease screws and nuts with a suitable waterproof repellent to

### SPECIFICATION

Model no.	Multi Watt	Lumen Efficiency	CCT	Voltage	Operating Temp	Colour	IP Rating
SSCH58W5FT	32w, 41w, 50w, 58w	125LM/W	3000k 4000k 6000k	240v	-30~+50°C	White	IP20
SSCH58W5FT-EM	32w, 41w, 50w, 58w	125LM/W	3000k 4000k 6000k	240v	-30~+50°C	White	IP20

### Features:

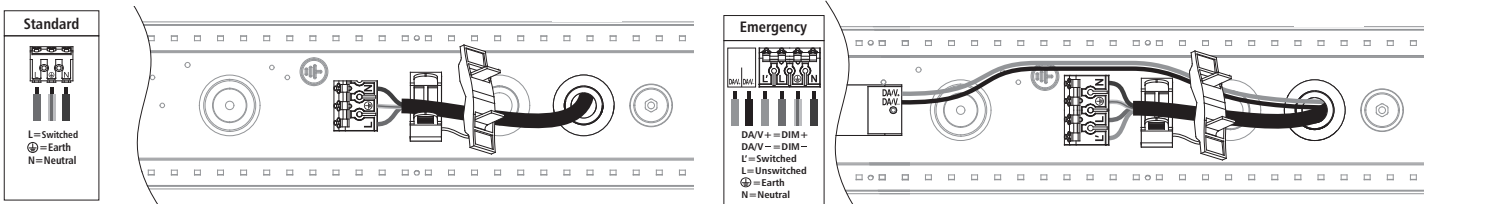
LED Type: SMD 2835 196 LEDs  
Multi Watt: 58w, 30w  
125 Lm/W  
CCT: 3000k, 4000k, 6000k  
Voltage: 220 240V AC Flicker Free

Frequency: 50/60Hz  
IP Rating: IP20  
Beam Angle: 120°  
Dimmable: No  
Class: 1

### Battery Information:

Em Battery Type: LiFePo4-6.4V 1500mAh  
Em Battery Duration: 3 Hours  
Operating Temperature: -20°C ~ +40°C

### Wiring Diagram

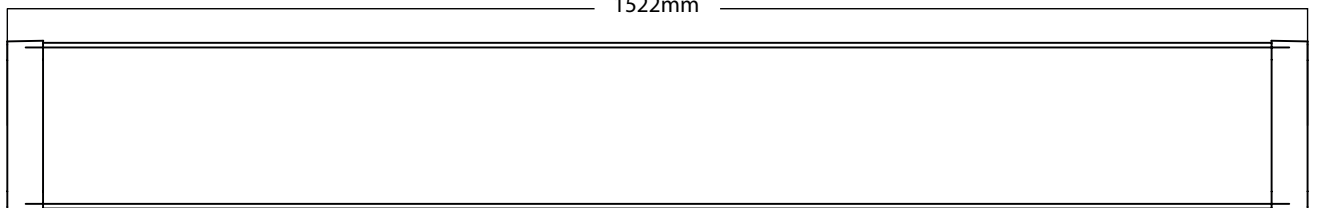


819mm

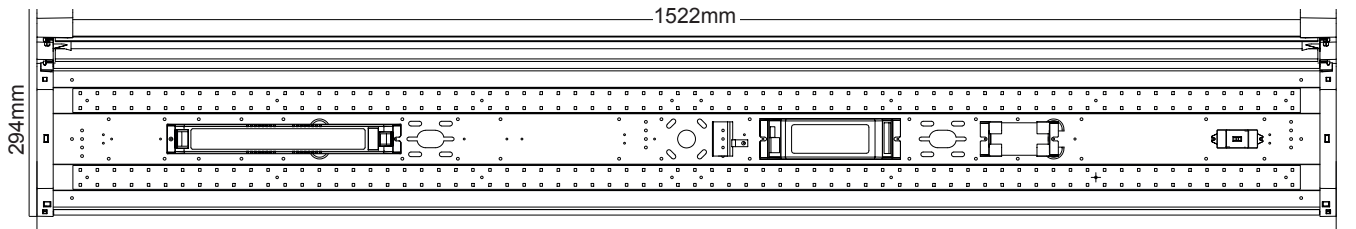


294mm

1522mm



1522mm



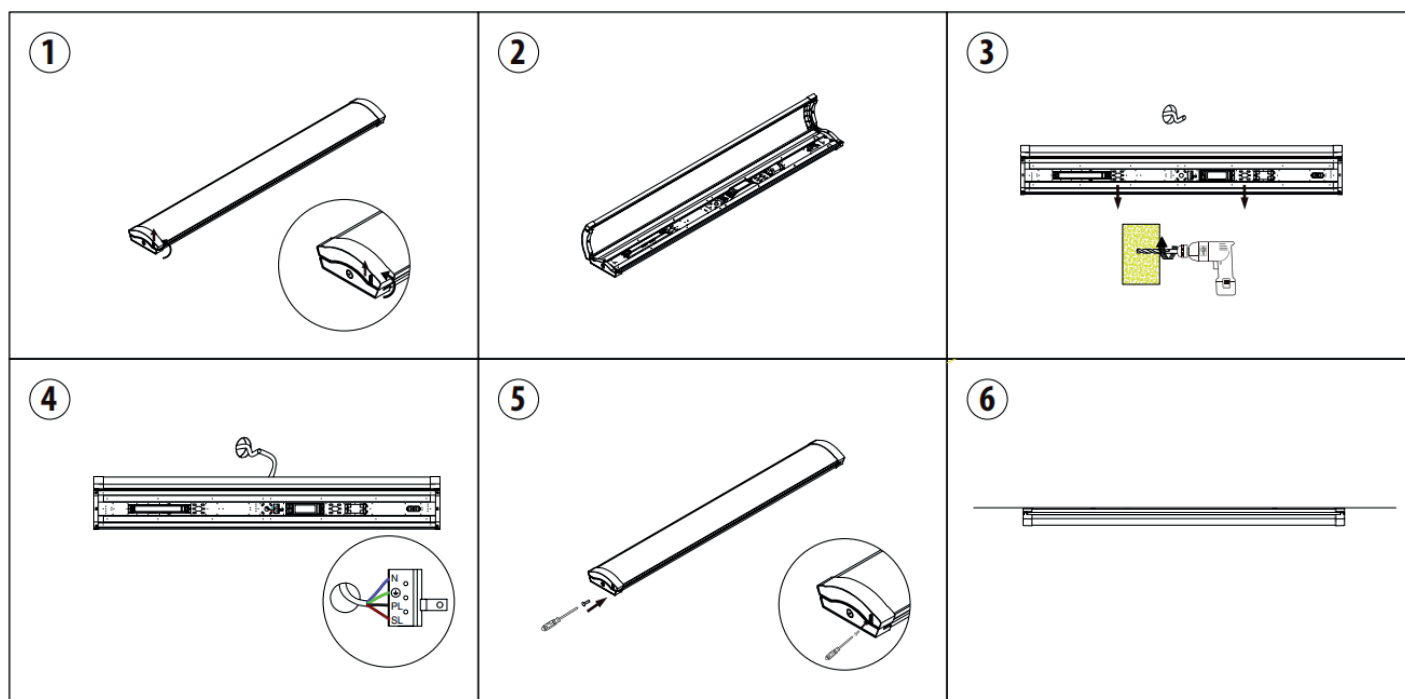
294mm

1522mm

## Installation

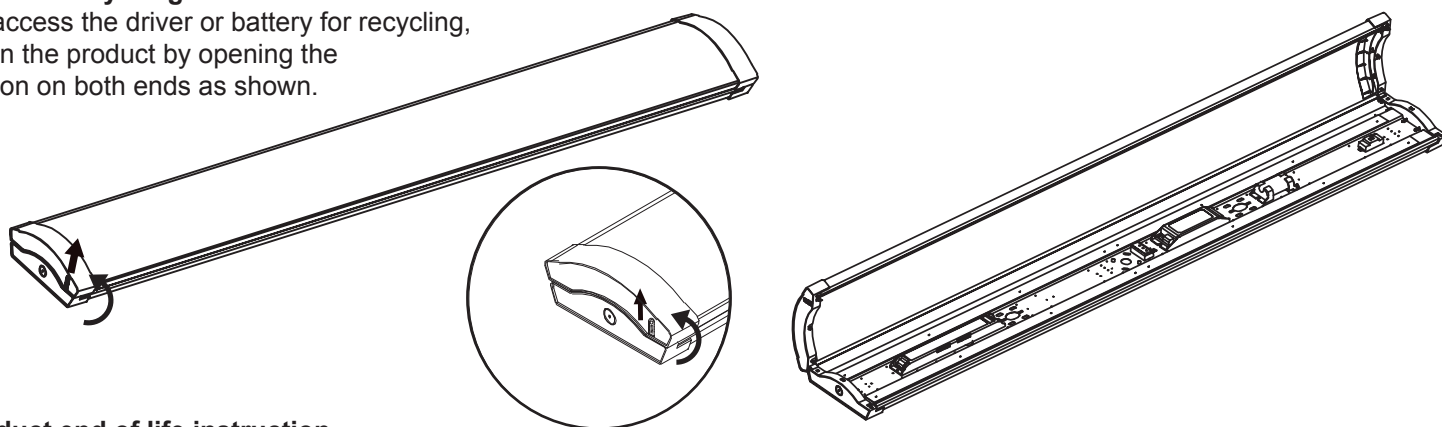
1. Ensure mains supply is switched off. Release the cover of the fitting by opening the buttons on both ends.
2. The diffuser is hinged. Once open, Find the fixing points.
3. Mark and drill the mounting holes on the ceiling and feed power cable through the opening on the rear of the fitting.
4. Connect the incoming mains cable to the terminal block. The wiring diagram is shown on this document.
5. Close the cover of the fitting and secure using the supplied locking screw. If needed use the anti tamper screw to lock diffuser In place.
6. Secure the fitting to the ceiling using supplied fixings.
7. Installation is complete.

## Installation Diagram



## Disassembly Diagram

To access the driver or battery for recycling, open the product by opening the button on both ends as shown.



## Product end of life instruction.

This Lighting product is in the scope of EU 2019/2020 directive on waste Electrical and Electronic Equipment (WEEE). This product is to be disposed according to the legislation. This document is intended for use by end of life recyclers or treatment facilities. It provides the basic information to assure an appropriate end of life treatment for the components and materials of the product. It is the responsibility of the end user to dispose of this product correctly. [www.weeeireland.ie](http://www.weeeireland.ie) or contact your local council for further information.

For more information contact:



Solas Geal Distribution



Unit 7/8 Ashbourne Business Centre, Ballybin Road, Ashbourne, Co. Meath, A84 YP58, Ireland  
Unit 32 Junction One Business Park, Valley Road, Birkenhead, Wirral, Merseyside, UK, CH41 7ED  
SGD IRE: +353 1 835 7447, SGD UK: 0330 551 7000 Website: [www.sgd.ie](http://www.sgd.ie)

# Spectrum Test Report

Sample :  
Specification : SSCH58W5FT-4000K  
Sample No. : 86  
Manufacturer :

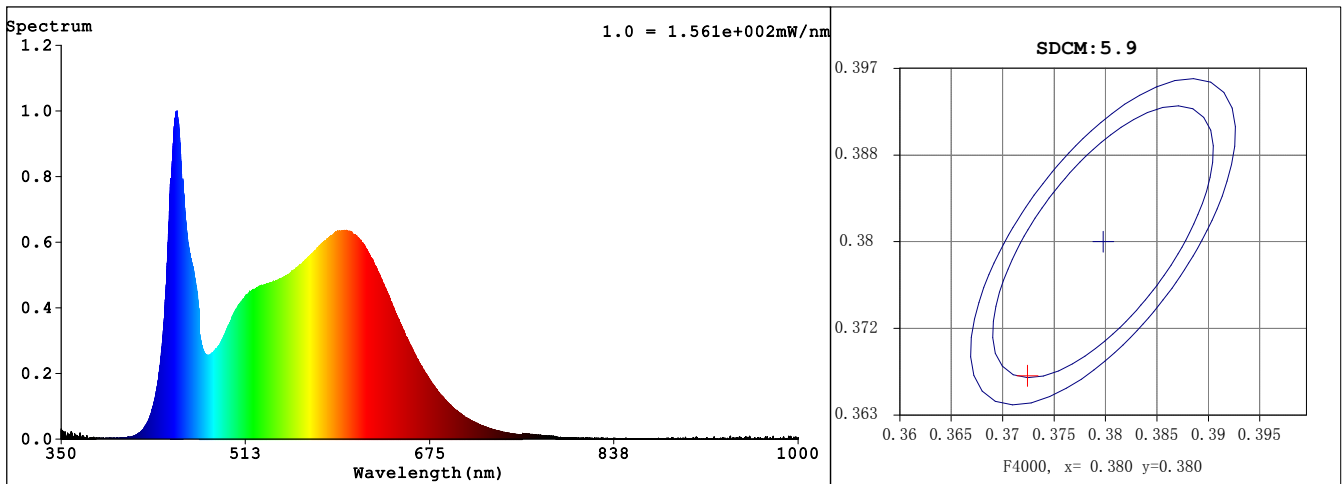
Date : 2023-08-24 09:36:34  
Sam. Status :  
Instrument : HAAS-2000(EVERFINE)  
Test by :  
Assessor : damin

## Test Condition

Temperature : 25.3 °C  
WL Range : 350nm-1000nm  
Test Mode : Accuracy Test

RH : 65.0%  
IP : 49960 (76%)  
T : 411 ms  
Sensitivity : Low

## Spectrum



## Colorimetric Parameters

Chromaticity Coordinate:  $x = 0.3651$   $y = 0.3734$  /  $u' = 0.2219$   $v' = 0.4929$

( $duv = -2.77e-03$ ) CCT= 4297K Prcp WL: Ld=579.9nm Purity=18.7%

Peak WL: Lp=452nm FWHM: =21.3nm Ratio:R=18.6% G=76.9% B=4.6%

Render Index: Ra = 88.8 TM30:Rf=87 Rg=97

R1 =89 R2 =95 R3 =97 R4 =88 R5 =89 R6 =91 R7 =88

R8 =73 R9 =33 R10=88 R11=89 R12=68 R13=92 R14=99 R15=84

LEVEL:OUT

## Photometric & Radiometric Parameters

Flux = 6882.3 lm Eff. : 126.49 lm/W Fe = 20.302 W

## Electrical parameters

V = 230.3 V I = 0.2241 A P = 54.41 W PF = 0.9766

Freq=49.99 Hz

**EVERFINE CORPORATION**

<http://www.everfine.cn>

# Spectrum Test Report

Sample :  
Specification : SSCH58W5FT-6000K  
Sample No. : 86  
Manufacturer :

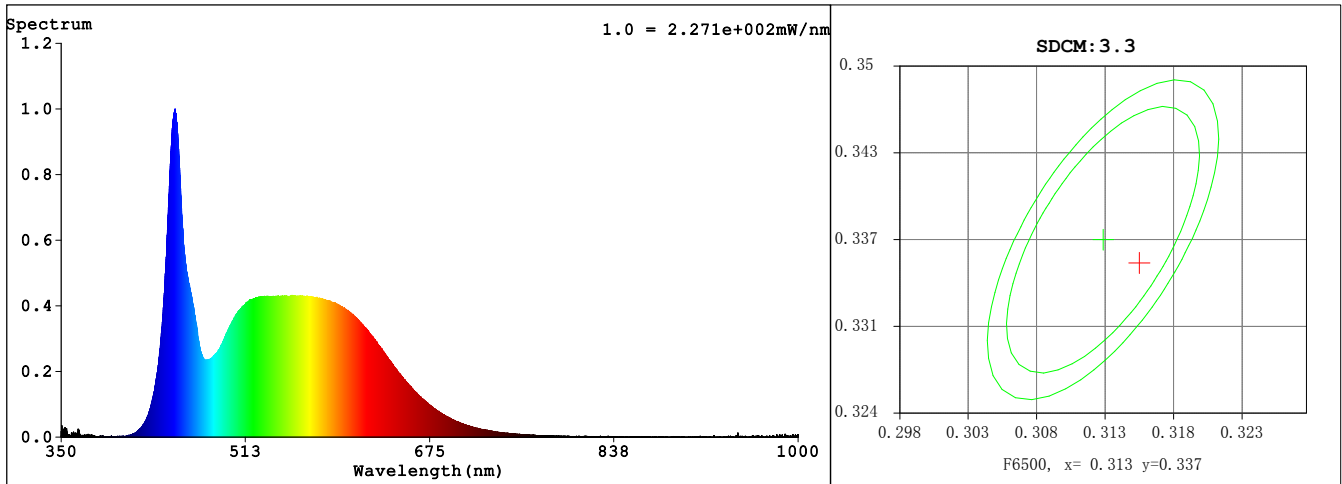
Date : 2023-08-24 09:37:58  
Sam. Status :  
Instrument : HAAS-2000(EVERFINE)  
Test by :  
Assessor : damin

## Test Condition

Temperature : 25.3 °C  
WL Range : 350nm-1000nm  
Test Mode : Accuracy Test

RH : 65.0%  
IP : 47745 (73%)  
T : 297 ms  
Sensitivity : Low

## Spectrum



## Colorimetric Parameters

Chromaticity Coordinate:  $x = 0.3157$   $y = 0.3353$  /  $u' = 0.1975$   $v' = 0.4721$  ( $duv=4.94e-03$ )

CCT= 6309K Prcp WL:  $L_d=493.1nm$  Purity=5.9%

Peak WL:  $L_p=450nm$  FWHM: =19.2nm Ratio:R=13.9% G=80.4% B=5.7%

Render Index:  $R_a = 85.7$  TM30:Rf=86 Rg=95

R1 =84 R2 =89 R3 =93 R4 =86 R5 =85 R6 =85 R7 =90

R8 =73 R9 =18 R10=75 R11=86 R12=62 R13=86 R14=97 R15=79

LEVEL:OUT

## Photometric & Radiometric Parameters

Flux = 6811.1lm Eff. : 121.28 lm/W  $F_e = 21.265 W$

## Electrical parameters

V = 230.4 V I = 0.2441 A P = 56.16 W PF = 0.9807

Freq=49.99 Hz

**EVERFINE CORPORATION**

<http://www.everfine.cn>

# Spectrum Test Report

Sample :  
Specification : SSCH58W5FT-3000K  
Sample No. : 86  
Manufacturer :

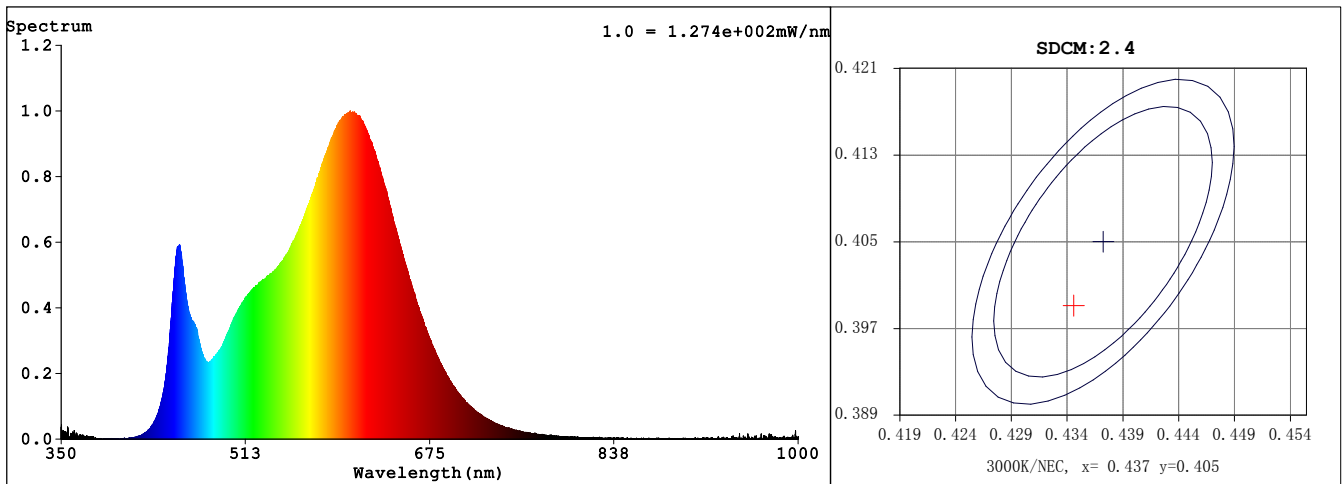
Date : 2023-08-24 09:38:36  
Sam. Status :  
Instrument : HAAS-2000(EVERFINE)  
Test by :  
Assessor : damin

## Test Condition

Temperature : 25.3 °C  
WL Range : 350nm-1000nm  
Test Mode : Accuracy Test

RH : 65.0%  
IP : 50170 (77%)  
T : 370 ms  
Sensitivity : Low

## Spectrum



## Colorimetric Parameters

Chromaticity Coordinate:  $x = 0.4344$   $y = 0.3993$  /  $u' = 0.2510$   $v' = 0.5191$  ( $duv = -1.57e-03$ )

CCT= 3004K Prcp WL:  $L_d = 583.4\text{nm}$  Purity=50.2%

Peak WL:  $L_p = 605\text{nm}$  FWHM: =123.0nm Ratio:R=23.5% G=73.5% B=3.0%

Render Index:  $R_a = 85.0$  TM30:Rf=86 Rg=96

R1 =85 R2 =95 R3 =93 R4 =83 R5 =86 R6 =94 R7 =82

R8 =61 R9 =16 R10=89 R11=84 R12=77 R13=88 R14=97 R15=77

LEVEL:OUT

## Photometric & Radiometric Parameters

Flux = 6808.6lm Eff. : 120.87 lm/W  $F_e = 18.808\text{ W}$

## Electrical parameters

V = 230.4 V I = 0.2463 A P = 56.33 W PF = 0.9813

Freq=49.99 Hz

**EVERFINE CORPORATION**

<http://www.everfine.cn>



## EU DECLARATION OF CONFORMITY

**Manufacturers Name:** Solas Geal Distribution  
Unit 7/8 Ashbourne Business Centre, Ballybin Road, Ashbourne, Co. Meath, A84 YP58.

**Declaration Number:**

001-SSCH58W5FT

This declaration of conformity is issued under the sole responsibility of the manufacturer.

**Product:**

58W CCT Multi Watt School House Fitting

**Model Number:**

001-SSCH58W5FT

The product/model of the declaration described above is in conformity with the relevant Community harmonisation legislation.

**Low Voltage Directive (2014/35/EU)**

**Directive 2009/125/EC**

(EU) 2019/2015 Regulation on Energy Labelling for Light Sources.

(EU) 2019/2020 Ecodesign Requirements for Light Sources and Separate Control Gears

The product/model of the declaration described above is in conformity with the standards and technical specifications listed below:

EN IEC 55015:2019+A11:2020; EN 61547:2009, EN IEC 61000-3-2:2019+A1:2021;  
EN 61000-3-3:2013+A1:2019

EN IEC 60598-1:2021+A11:2022; EN IEC 60598-2-1:2021; EN 62471:2008;

EN IEC 62031:2020+A11:2021, EN 62493:2015

BS EN IEC 55015:2019+A11:2020; BS EN 61547:2009;

BS EN IEC 61000-3-2:2019+A1:2021; BS EN 61000-3-3:2013+A1:2019

BS EN IEC 60598-1:2021+A11:2022, BS EN IEC 60598-2-1:2021; BS EN 62471:2008, BS EN IEC  
62031:2020+A11:2021; BS EN 62493:2015



SSCH58W5FT

*Signed:*

*Date:* 7/11/23

*Place of Issue:* Republic of Ireland

