

Product Information Sheet

COMMISSION DELEGATED REGULATION (EU) 2019/2015 with regard to energy labelling of light sources

Supplier's name or trade mark: Source

Supplier's address: SGD, Unit 7/8 Ashbourne Business Centre Ballybin Road Ashbourne Co. Meath Ireland A84YP58

Model identifier: SPFR6W

Type of light source:

Lighting technology used:	LED	Non-directional or directional:	DLS
Light source cap-type (or other electric interface)	other electric interface		
Mains or non-mains:	MLS	Connected light source (CLS):	No
Colour-tuneable light source:	No	Envelope:	-
High luminance light source:	No		
Anti-glare shield:	No	Dimmable:	Yes

Product parameters

Parameter	Value	Parameter	Value
-----------	-------	-----------	-------

General product parameters:

Energy consumption in on-mode (kWh/1000 h), rounded up to the nearest integer	6	Energy efficiency class	F
Useful luminous flux (ϕ_{use}), indicating if it refers to the flux in a sphere (360°), in a wide cone (120°) or in a narrow cone (90°)	495 in Wide cone (120°)	Correlated colour temperature, rounded to the nearest 100 K, or the range of correlated colour temperatures, rounded to the nearest 100 K, that can be set	3 000 or 4 000 or 5 700
On-mode power (P_{on}), expressed in W	6,0	Standby power (P_{sb}), expressed in W and rounded to the second decimal	0,50
Networked standby power (P_{net}) for CLS, expressed in W and rounded to the second decimal	-	Colour rendering index, rounded to the nearest integer, or the range of CRI-values that can be set	80
Outer dimensions without separate control gear, light-	Height	95	Spectral power distribution in the range 250 nm to 800 nm, at full-load
	Width	95	
	Depth	56	
			See image in last page

ing control parts and non-lighting control parts, if any (millimetre)			
Claim of equivalent power ^(a)	-	If yes, equivalent power (W)	-
		Chromaticity coordinates (x and y)	0,329 0,350
Parameters for directional light sources:			
Peak luminous intensity (cd)	235	Beam angle in degrees, or the range of beam angles that can be set	110
Parameters for LED and OLED light sources:			
R9 colour rendering index value	0	Survival factor	1,00
the lumen maintenance factor	1,00		
Parameters for LED and OLED mains light sources:			
displacement factor (cos ϕ_1)	0,50	Colour consistency in McAdam ellipses	6
Claims that an LED light source replaces a fluorescent light source without integrated ballast of a particular wattage.	.. ^(b)	If yes then replacement claim (W)	-
Flicker metric (Pst LM)	1,0	Stroboscopic effect metric (SVM)	0,4

(a)'.': not applicable;

(b)'.': not applicable;

Product Information Sheet

COMMISSION DELEGATED REGULATION (EU) 2019/2015 with regard to energy labelling of light sources

Supplier's name or trade mark: Source

Supplier's address: SGD, Unit 7/8 Ashbourne Business Centre Ballybin Road Ashbourne Co. Meath Ireland A84YP58

Model identifier: SPFR9W

Type of light source:

Lighting technology used:	LED	Non-directional or directional:	DLS
Light source cap-type (or other electric interface)	Other Electric Interface		
Mains or non-mains:	MLS	Connected light source (CLS):	No
Colour-tuneable light source:	No	Envelope:	-
High luminance light source:	No		
Anti-glare shield:	No	Dimmable:	Yes

Product parameters

Parameter	Value	Parameter	Value
-----------	-------	-----------	-------

General product parameters:

Energy consumption in on-mode (kWh/1000 h), rounded up to the nearest integer	9	Energy efficiency class	F
Useful luminous flux (ϕ_{use}), indicating if it refers to the flux in a sphere (360°), in a wide cone (120°) or in a narrow cone (90°)	685 in Wide cone (120°)	Correlated colour temperature, rounded to the nearest 100 K, or the range of correlated colour temperatures, rounded to the nearest 100 K, that can be set	3 000 or 4 000 or 5 700
On-mode power (P_{on}), expressed in W	9,0	Standby power (P_{sb}), expressed in W and rounded to the second decimal	0,50
Networked standby power (P_{net}) for CLS, expressed in W and rounded to the second decimal	-	Colour rendering index, rounded to the nearest integer, or the range of CRI-values that can be set	80
Outer dimensions without separate control gear, light-	Height	113	Spectral power distribution in the range 250 nm to 800 nm, at full-load
	Width	113	
	Depth	60	
			See image in last page

ing control parts and non-lighting control parts, if any (millimetre)			
Claim of equivalent power ^(a)	-	If yes, equivalent power (W)	-
		Chromaticity coordinates (x and y)	0,329 0,350
Parameters for directional light sources:			
Peak luminous intensity (cd)	319	Beam angle in degrees, or the range of beam angles that can be set	110
Parameters for LED and OLED light sources:			
R9 colour rendering index value	0	Survival factor	1,00
the lumen maintenance factor	1,00		
Parameters for LED and OLED mains light sources:			
displacement factor (cos ϕ_1)	0,50	Colour consistency in McAdam ellipses	6
Claims that an LED light source replaces a fluorescent light source without integrated ballast of a particular wattage.	.. ^(b)	If yes then replacement claim (W)	-
Flicker metric (Pst LM)	1,0	Stroboscopic effect metric (SVM)	0,4

(a)'.': not applicable;

(b)'.': not applicable;

FIRE RATED LED DIMMABLE CCT DOWNLIGHT INSTRUCTIONS

Description:

LED constant current driver. Low power consumption, long lifespan, and high safety
 Housing is made of iron material and PVC
 Good thermal management ensures stability of the working of the downlight
 The optical lens design ensures soft and even light, instant light with no flickering or glaring
 Tested for use in timber, I-Joist and steel open web joist ceilings
 Can also be installed in Fire Rated Ceiling Boards with insulation directly on fitting

Read before installing

- ◆ Must be installed by a qualified electrician
- ◆ For ceiling installation only
- ◆ Suitable for covering with thermally insulated material
- ◆ For indoor use only
- ◆ Do not install the product in high temperature or humid environments. Working out of recommended temperature range -20°C ~ +40°C will shorten the lifetime of this product
- ◆ Storage conditions: room temperature and dry environment
- ◆ Power should be cut off before installation, maintenance or inspection
- ◆ Please install and use the light strictly according to the instructions
- ◆ If any modifications are made to this luminaire, the warranty will become null and void

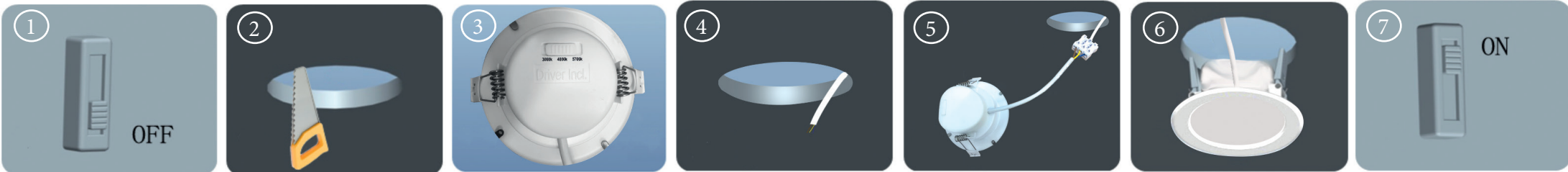
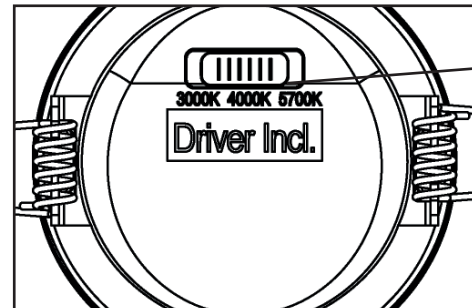


Installation:

- Pic 1. Turn off the power.
- Pic 2. Cut the required size hole in the ceiling.
- Pic 3. Use switch to select desired color temperature.
- Pic 4. Pull the power line out of the ceiling in order to connect the downlight
- Pic 5. Connect the commercial power wire with the reserved power supply outlet.
 Make sure the power line fixed securely with the driver end.
- Pic 6. Pinch both springs, then push downlight into installation hole to position.
- Pic 7. Double-check everything is well-connected, and then turn on the power.

Features

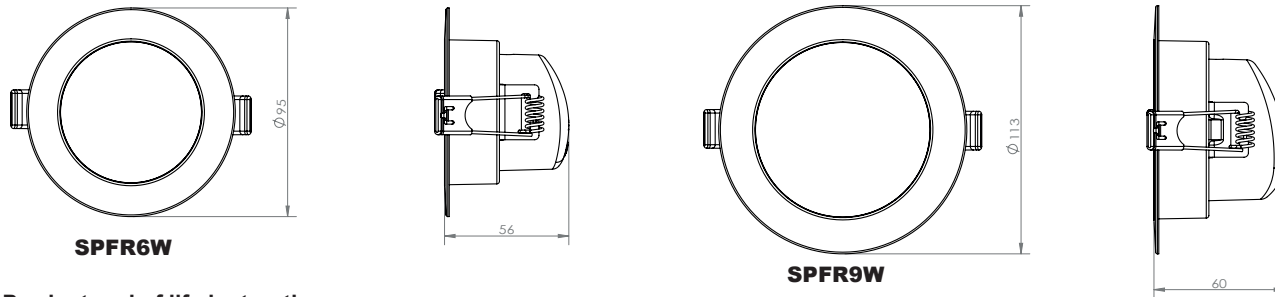
- Fire Rated. Tested for use in:
 Solid Timber 30-60-90 minutes
 I-Joist 30-60 minutes
 Metal Web 30 Minutes
- CCT Switch (3000k, 4000k, 5700k)
- Built in Driver
- Triac dimming, (Suitable for both trailing edge and leading edge dimmer)
- 100 Lm/W
- Fireproof Approval
- IP Rating IP65
- Metal housing & thermal conductive plastic driver cover
- Pre wired with terminal box



LED Down Light Series

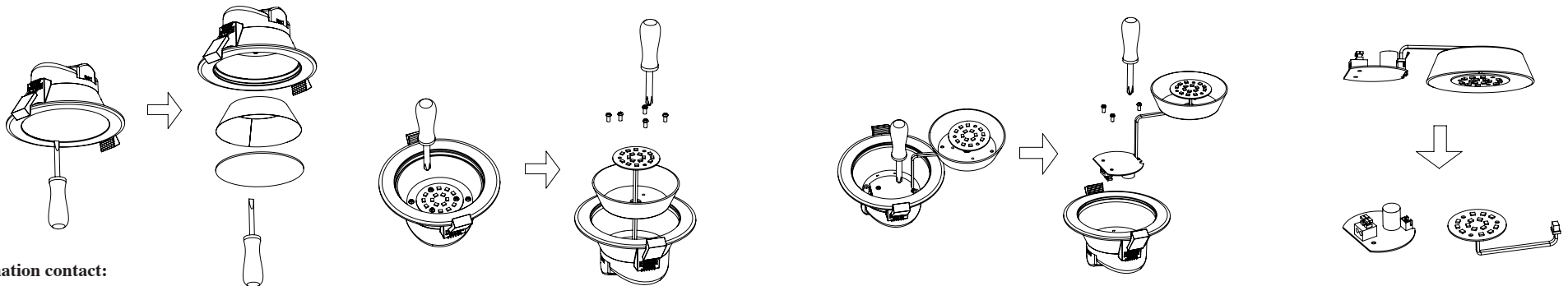
Technical parameters:

Product Code:	SPFR6W	SPFR9W
Input Voltage:	220-240V AC	220-240V AC
Input MAX Current (A)	0.05	0.05
Power factor	>0.8	>0.8
Power	6W	9W
Colour Temp:	3000k, 4000k, 5700k	3000k, 4000k, 5700k
Luminous Flux	600Lm, 640Lm, 640Lm	830Lm, 900Lm, 900Lm
Lifespan (Hour)	30000H	30000H
Beam Angle	90°	90°
Ingress Protection	IP65	IP65
Cutout (mm)	Ø68-80	Ø90-102
Working Temp (°C)	-20°C ~ +40°C	-20°C ~ +40°C
CRI (Ra)	>80	>80



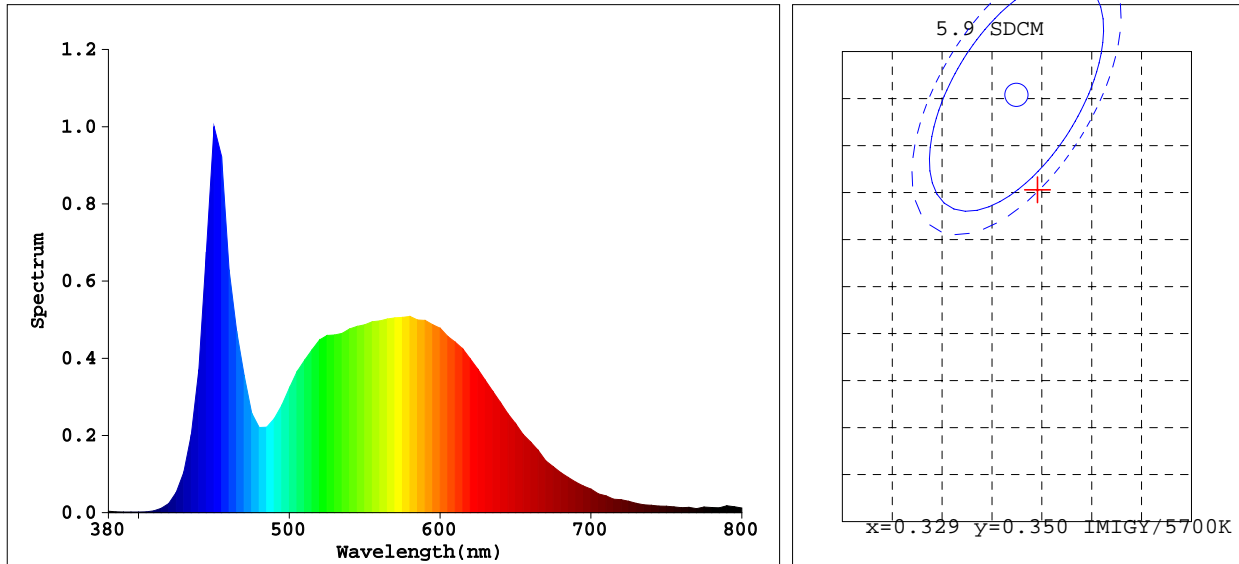
Product end of life instruction.

This Lighting product is in the scope of EU 2019/2020 directive on Waste Electrical and Electronic Equipment (WEEE). This product must be disposed according to the legislation. This document is intended for use by end of life recyclers or treatment facilities. It provides the basic information to assure an appropriate end of life treatment for the components and materials of the product. Please follow pictured diagram showing how to dismantle the product into different components which should be disposed of correctly. These components consist of plastic, metal and electronic materials. It is the responsibility of the end user to dispose of this product correctly. www.weeeireland.ie or contact your local council for further information.



For more information contact:

Light Source Test Report



Color Parameters:

Chromaticity Coordinate: $x=0.3305$ $y=0.3419$
 Chromaticity Coordinate: $u'=0.2052$ $v'=0.4777$ ($duv=1.32e-03$)
 Tc=5585K Dominant WL:Ld=533.7nm Purity=1.9% Centroid WL:549.0nm
 Ratio:R=16.2% G=79.2% B=4.6% Peak WL:Lp=450.0nm HWL:21.9nm
 Render Index:Ra=84.2
 R1 =83 R2 =89 R3 =92 R4 =84 R5 =84 R6 =84 R7 =88
 R8 =71 R9 =15 R10=73 R11=84 R12=59 R13=85 R14=96 R15=79

Photo Parameters:

Flux: 647.95 lm Fe: 2.0695 W Efficacy:109.5 lm/W

Electrical Parameters:

Luminaire: U=231.0V I=0.02763A P=5.918W PF=0.9272

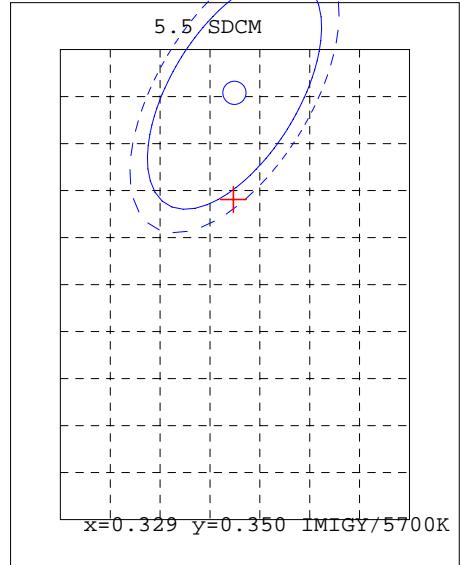
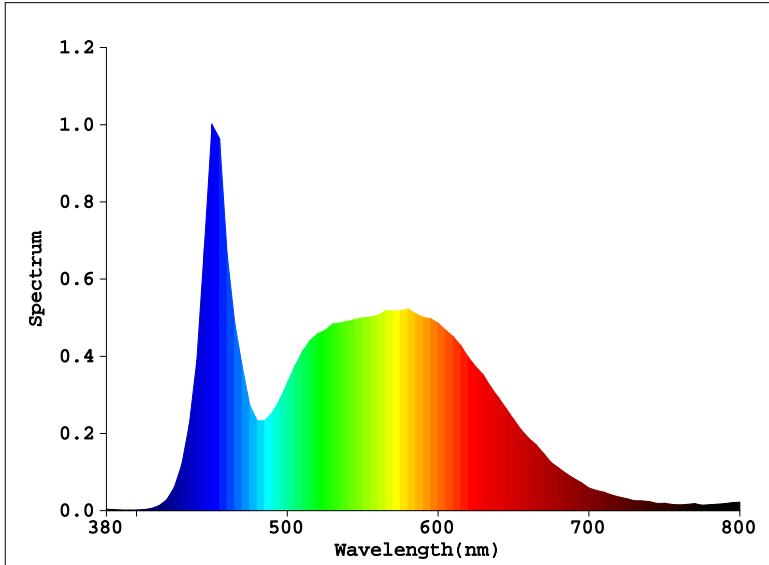
Instrument Status:

Scan Range:380.0nm-800.0nm Interval:5.0nm[0] Ip=48255(G=6,D=72)
 REF=7229(R=3) %=-0.126% PMT: 27.9 centigrade [150.0]

Product Type:SPFR6W
 Number:3
 Temperature:25 deg
 Test Operator:
 Software:V3.00.135

Manufacturer: SGD LTD
 Test Department:
 Humidity:65.0%
 Test Date:2024-07-27 16:49:36
 Instrument:PMS-80_V1 (SN:11070038)

Light Source Test Report



Color Parameters:

Chromaticity Coordinate: $x=0.3286$ $y=0.3409$
 Chromaticity Coordinate: $u'=0.2043$ $v'=0.4769$ ($duv=1.67e-03$)
 Tc=5671K Dominant WL:Ld=514.6nm Purity=1.6% Centroid WL:548.0nm
 Ratio:R=16.0% G=79.3% B=4.7% Peak WL:Lp=450.0nm HWL:22.8nm
 Render Index:Ra=84.4
 R1 =83 R2 =89 R3 =92 R4 =84 R5 =84 R6 =84 R7 =88
 R8 =71 R9 =16 R10=73 R11=84 R12=59 R13=85 R14=96 R15=79

Photo Parameters:

Flux: 897.42 lm Fe: 2.8868 W Efficacy:103.7 lm/W

Electrical Parameters:

Luminaire: U=231.0V I=0.04048A P=8.653W PF=0.9256

Instrument Status:

Scan Range:380.0nm-800.0nm Interval:5.0nm[0] Ip=14121(G=5,D=59)
 REF=9972(R=3) %=-0.121% PMT: 28.1 centigrade [150.0]

黑色

Product Type:SPFR9W
 Number:6
 Temperature:25 deg
 Test Operator:
 Software:V3.00.135

Manufacturer: SGD LTD
 Test Department:
 Humidity:65.0%
 Test Date:2024-07-27 16:57:44
 Instrument:PMS-80_V1 (SN:11070038)



EU DECLARATION OF CONFORMITY

Manufacturers Name: Solas Geal Distribution
Unit 7/8 Ashbourne Business Centre, Ballybin Road, Ashbourne, Co. Meath, A84 YP58.

This declaration of conformity is issued under the sole responsibility of the manufacturer.

Product:

LED CCT DIMMABLE FIRE RATED DOWNLIGHT 6W and 9W

Model Number:

SPFR6W, SPFR9W

The product/model of the declaration described above is in conformity with the relevant Community harmonisation legislation.

Low Voltage Directive (2014/35/EU)

LVD (2014/35/EU) (amendment 2019/1956)

RoHS Directive (EU 2015/863 -2011/65/EU)

EMC Directive (2014/30/EU)

(EU) 2019/2015 Regulation on Energy Labelling for Light Sources.

(EU) 2019/2020 Ecodesign Requirements for Light Sources and Separate Control Gears

90 Minute Fire Rated in Accordance with BS 476 Part 21:1987

The product/model of the declaration described above is in conformity with the standards and technical specifications listed below:

EN IEC 55015:2019+A11:2020, EN 61547:2009, EN IEC 61000-3-2:2019+A1:2021,
EN 61000-3-3:2013+A1:2019+A2:2021, EN 60598-2-2:2012, EN IEC 60598-1:2021 + A11:2022,
EN 62493:2015+A1:2022



Signed:

Date: 12/03/25

Place of Issue: Republic of Ireland

