

Product Information Sheet

COMMISSION DELEGATED REGULATION (EU) 2019/2015 with regard to energy labelling of light sources

Supplier's name or trade mark: Source

Supplier's address: SGD Limited, Unit 7/8 Ashbourne Business Centre, Ballybin Road, Ashbourne, Co. Meath. A84 YP58. Ireland.

Model identifier: SOL CCT BL

Type of light source:

Lighting technology used:	LED	Non-directional or directional:	NDLS
Light source cap-type (or other electric interface)	SMD		
Mains or non-mains:	NMLS	Connected light source (CLS):	No
Colour-tuneable light source:	No	Envelope:	-
High luminance light source:	No		
Anti-glare shield:	No	Dimmable:	No

Product parameters

Parameter	Value	Parameter	Value
-----------	-------	-----------	-------

General product parameters:

Energy consumption in on-mode (kWh/1000 h), rounded up to the nearest integer	12	Energy efficiency class	F
Useful luminous flux (ϕ_{use}), indicating if it refers to the flux in a sphere (360°), in a wide cone (120°) or in a narrow cone (90°)	1 000 in Wide cone (120°)	Correlated colour temperature, rounded to the nearest 100 K, or the range of correlated colour temperatures, rounded to the nearest 100 K, that can be set	2 700 or 4 000 or 6 400
On-mode power (P_{on}), expressed in W	12,0	Standby power (P_{sb}), expressed in W and rounded to the second decimal	-
Networked standby power (P_{net}) for CLS, expressed in W and rounded to the second decimal	-	Colour rendering index, rounded to the nearest integer, or the range of CRI-values that can be set	88
Outer dimensions	Height	Spectral power distribution in the	See image in last page
	Width		
			190

without separate control gear, lighting control parts and non-lighting control parts, if any (millimetre)	Depth	82	range 250 nm to 800 nm, at full-load	
Claim of equivalent power ^(a)		-	If yes, equivalent power (W)	-
			Chromaticity coordinates (x and y)	0,374 0,369
Parameters for LED and OLED light sources:				
R9 colour rendering index value		33	Survival factor	1,00
the lumen maintenance factor		-		

(a) : not applicable;

(b) : not applicable;

Installation Guide

SOL CCT BL/WH, SOL I CCT BL/WH

Surface Mounted Luminaire including Eyelid



Read these instructions before commencing installation & retain them for future reference.

IP66    240V 12W IK08

Important Information

It is recommended that luminaires are installed and fitted by a qualified electrician ensuring the installation complies to current IEE wiring regulations & local building control. These products are designed for connection to a 240V 50Hz supply. Any broken or damaged parts should be replaced as soon as possible. We will not accept responsibility for any claims arising from a poor installation.

Important User Advice

Always switch off mains supply before fitting or servicing.

Installation Procedure (Fig.1)

Isolate mains supply before installation.

Unscrew the four screws and remove the rim and diffuser.

Pass intended supply wires through grommet.

Ensure the fixing surface is flat and even.

Fix base to the wall or ceiling using adequate fixings with regard to type of surface.

Ensure incoming cables are protected.

Terminate wiring as per Fig.2.

Make sure the seal is in place in the diffuser and undamaged.

Replace Diffuser and rim re-secure using the four screws.

Turn on the mains supply and test luminaire.

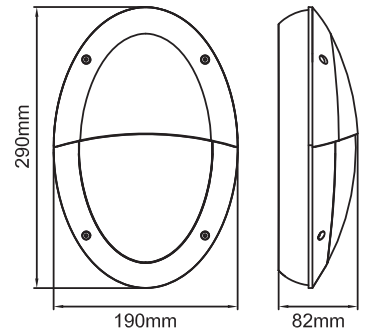
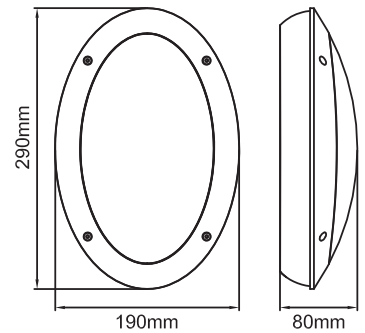


Fig.1

Wall mounted

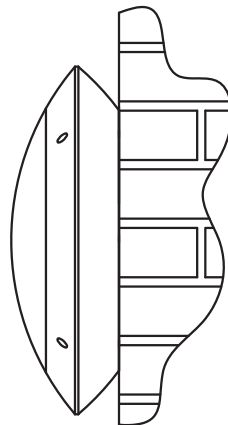
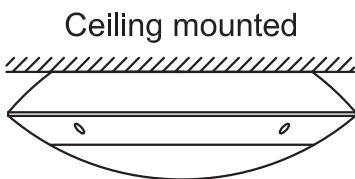
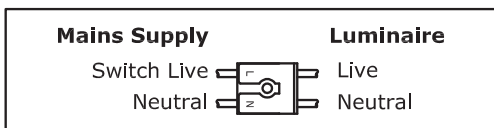


Fig.2



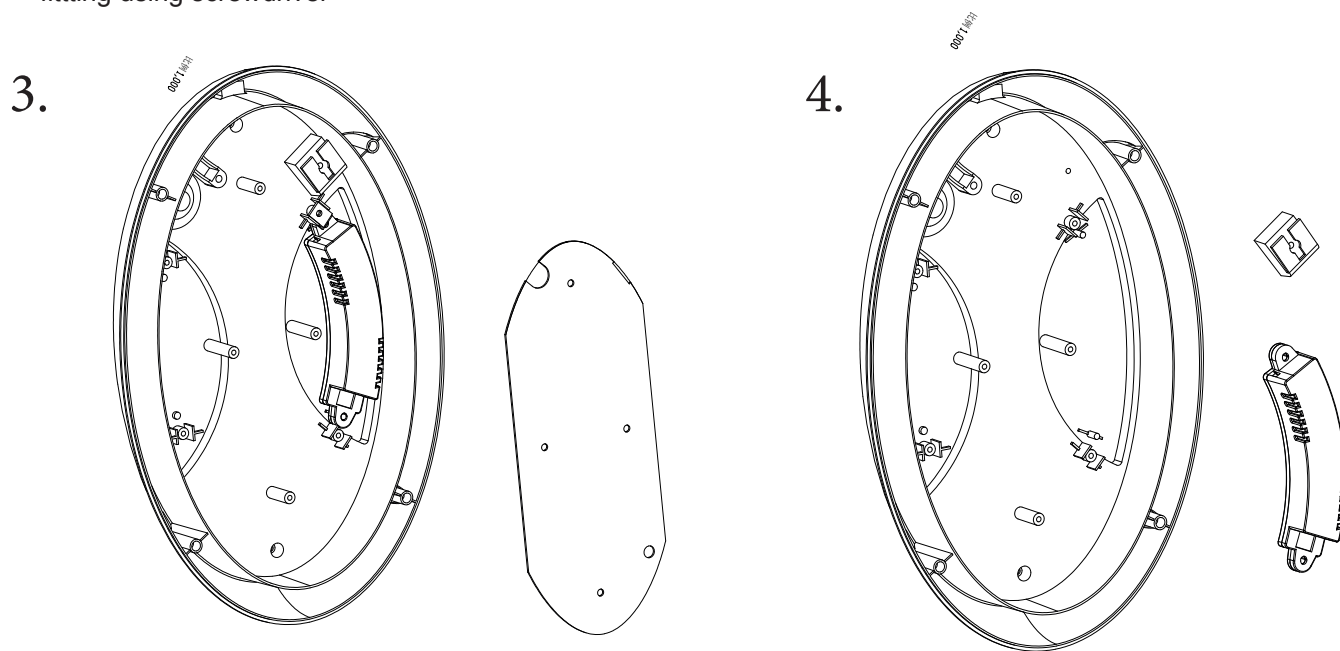
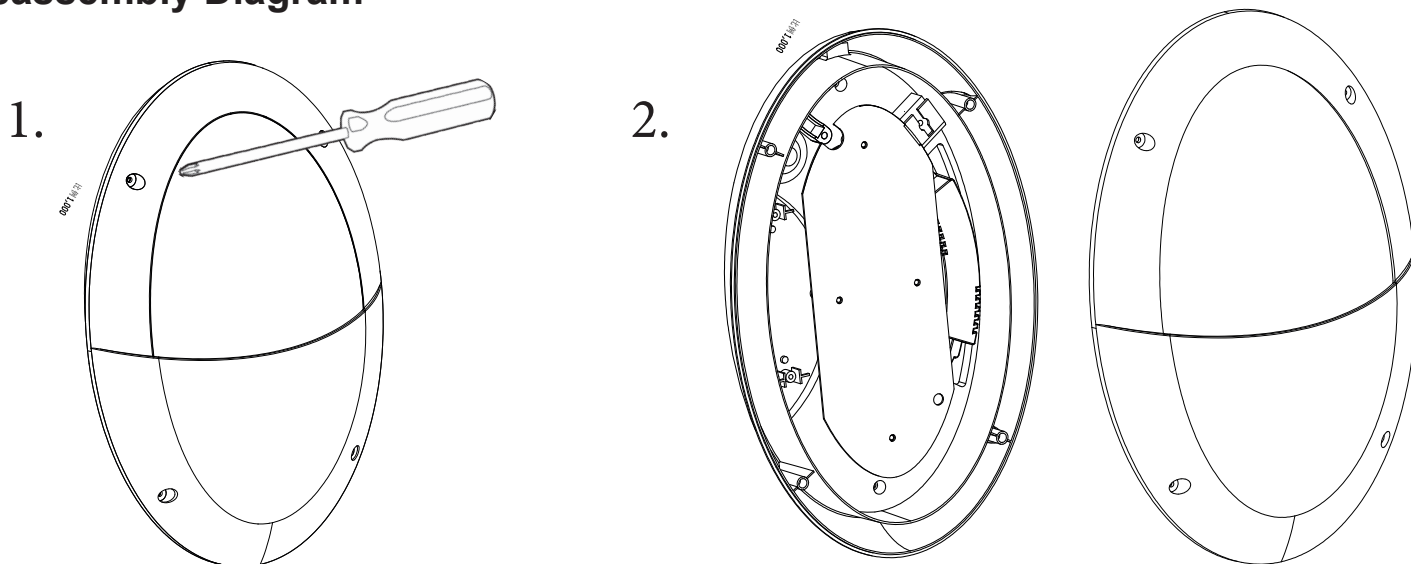
Lamp Details

Lamp: LED
Wattage: 12W
Colour: 2700K, 4000K, 6400K
Lumen Output: 1000LM SOL CCT
Lumen Output: 1000LM SOL I CCT
CRI: Ra>84

PRODUCT END OF LIFE INSTRUCTION.

This Lighting product is in the scope of EU 2019/2020 directive on Waste Electrical and Electronic Equipment (WEEE). This product must be disposed of according to the legislation. This document is intended for use by end of life recyclers or treatment facilities. It provides the basic information to assure an appropriate end of life treatment for the components and materials of the product. Please follow pictured diagram showing how to dismantle the product into different components which should be disposed of correctly. These components consist of plastic, metal and electronic materials. It is the responsibility of the end user to dispose of this product correctly. www.weeeireland.ie or contact your local council for further information.

Disassembly Diagram



For more information contact:

Unit 7/8 Ashbourne Business Centre, Ballybin Road, Ashbourne, Co. Meath, Ireland, A84 YP58,
Phone: 00353 1 835 7447



Unit 32 Junction One Business Park, Valley Road, Birkenhead, Merseyside, UK, CH41 7ED,
UK Ph: 0330 551 7000

Solas Geal Distribution

Website: www.sgd.ie

Spectrum Test Report

Sample : SOL CCT BL
Sample No. : 19
Manufacturer : SGD LIMITED

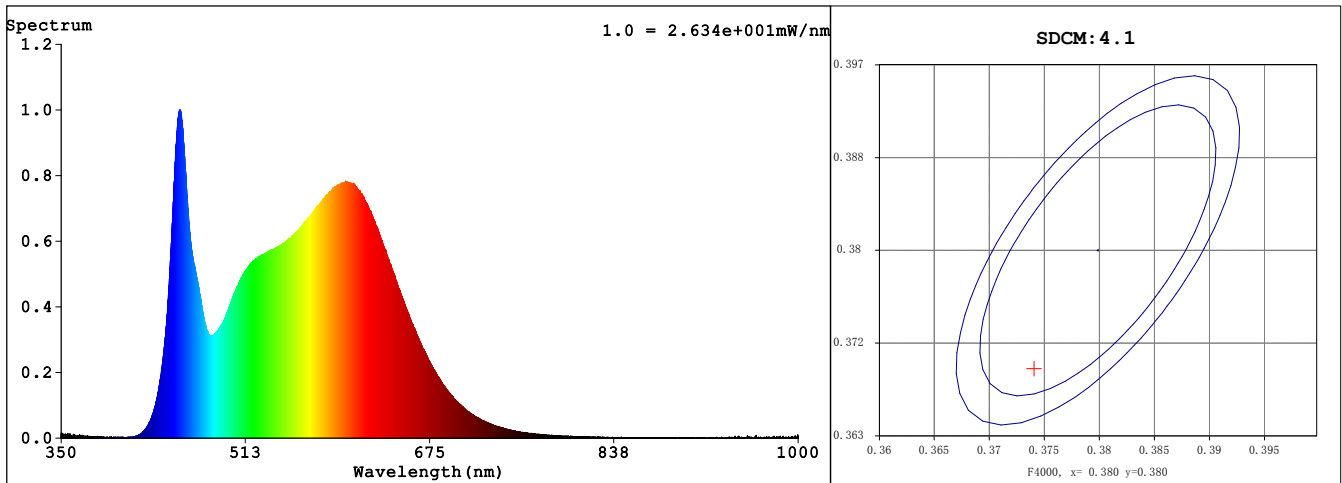
Date : 2021-12-30 13:56:56
Sam. Status :
Instrument : HAAS-2000

Test Condition

Temperature : 25.3Deg
WL Range : 350nm-1000nm
Test Mode : Fast Test

RH : 65.0%
IP : 51352 (78%)
T : 472 ms
Sensitivity : High

Spectrum



Colorimetric Parameters

Chromaticity Coordinate: $x = 0.3742$ $y = 0.3692$ / $u' = 0.2240$ $v' = 0.4973$ ($duv = -1.69e-03$)

CCT= 4122K Prcp WL: $L_d = 579.7\text{nm}$ Purity=23.1%

Peak WL: $L_p = 455\text{nm}$ FWHM: =23.2nm Ratio:R=19.1% G=76.5% B=4.5%

Render Index: $R_a = 88.5$

R1 =89 R2 =96 R3 =96 R4 =87 R5 =88 R6 =92 R7 =87
R8 =72 R9 =33 R10=90 R11=87 R12=67 R13=92 R14=99 R15=84

Photometric & Radiometric Parameters

Flux = 1190.6 lm Eff. : 106.07 lm/W Fe = 3.7677 W

Electrical parameters

V = 230.1 V I = 0.06348 A P = 11.22 W PF = 0.7684 F=49.99 Hz



EU DECLARATION OF CONFORMITY

Manufacturers Name: Solas Geal Distribution
Unit 7/8 Ashbourne Business Centre, Ballybin Road, Ashbourne, Co. Meath, A84 YP58.

Declaration Number:
045-SOL CCT BL,045-SOL CCT WH

This declaration of conformity is issued under the sole responsibility of the manufacturer.

Products:
12W LED CCT IP66 POLYCARBONATE BULKHEAD

Model Number:
SOL CCT BL, SOL CCT WH

The product/model of the declaration described above is in conformity with the relevant
Community harmonisation legislation:

Low Voltage Directive: (2014/35/EU)
EMC (2014/30/EU)

The product/model of the declaration described above is in conformity with the below listed
harmonised standards and technical specifications listed below:

EN55015:2013+A1:2015, EN61547:2009, EN61000-3-2:2014, EN61000-3-3:2013
EN60598-2-1:1989/EN60598-1:2015+A1:2018, EN62493:2015, IEC 62262:2002



Signed:

Date:

Place of Issue: Republic of Ireland

