

Fitting/Replacing the bulb: Max. 50W GU10

- When changing a bulb, always switch off at the mains and allow the bulb to cool before handling. Dispose of used bulbs carefully.
- Use a soft cloth to handle bulbs, avoid directly touching the bulbs as this will shorten their life.
- Do not exceed the wattage stated or use a different shape bulb from that indicated on the fitting.

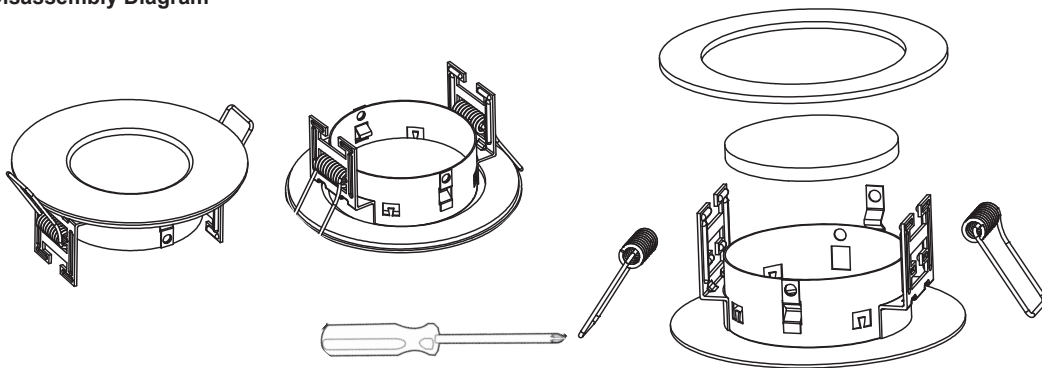
Care & Safety

- We recommend cleaning with a soft dry cloth. Do not use solvents or abrasive cleaners as these could damage the finish.
- For your safety, always switch off the power supply before cleaning.

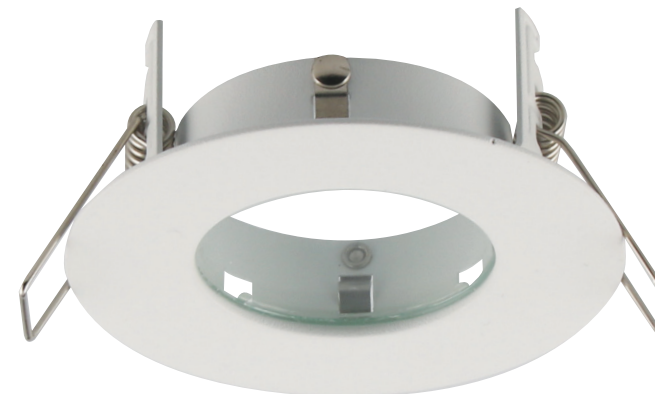
Product end of life instruction.

This Lighting product is in the scope of EU 2019/2020 directive on Waste Electrical and Electronic Equipment (WEEE). This product must be disposed according to the legislation. This document is intended for use by end of life recyclers or treatment facilities. It provides the basic information to assure an appropriate end of life treatment for the components and materials of the product. Please follow pictured diagram on the back of this manual showing how to dismantle the product into different components which should be disposed of correctly. These components consist of plastic, metal and electronic materials. It is the responsibility of the end user to dispose of this product correctly. www.weeeireland.ie or contact your local council for further information.

Disassembly Diagram



Installation Guide



Product Code:
SGUFR-WH
SGUFR-MC

For more information contact:



Unit 7/8 Ashbourne Business Centre, Ballybin Road, Ashbourne, Co. Meath, Ireland, A84 YP58,
Phone: 00353 1 835 7447

Unit 32 Junction One Business Park, Valley Road, Birkenhead, Merseyside, UK, CH41 7ED,
UK Ph: 0330 551 7000

Website: www.sgd.ie



Warning

- Please read these instructions carefully before commencing any work.
- This unit must be fitted by a Qualified Electrician.
- This is a Class 1 product and must be earthed.
- Install in accordance with IEE Wiring regulations and current building regulations.
- To prevent electrocution, switch off at mains supply before installing or maintaining this fitting. This light fitting should be connected to a circuit with a 30mA RCD fitted.
- If replacing an existing fitting, make a careful note of the connections.
- Cables must be protected using suitable conduit or plastic trunking.
- Do not attach to surfaces which are damp, freshly painted or otherwise electrically conductive (e.g. metallic surfaces). This product is rated at IP65.
- This product meets the electrical installation requirements for fire-rated ceiling lamps (BS476 Part 21) and can withstand fire up to 30, 60 and 90 minutes. The fire protection is provided by a glass lens. This has been tested and has passed the relevant standards.
- This product is NOT suitable for direct mounting on normally flammable surfaces (suitable only for mounting on non-combustible surfaces).

Technical Data

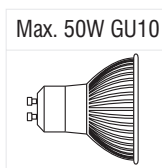
Supply Voltage: 220-240V~50Hz

Bulb Type: 1 x Max 50W GU10

Suitable for dimming

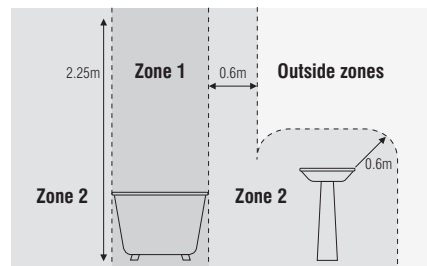
Double insulated

IP Rating: IP65



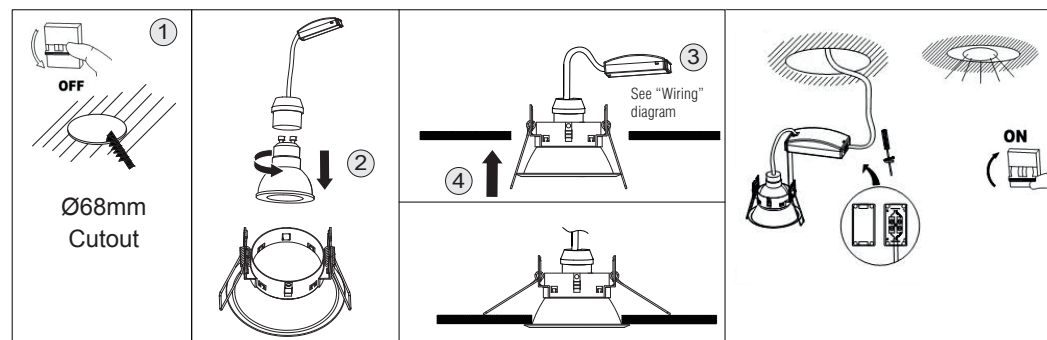
Layout

- Plan the desired layout of these fittings carefully, ensuring the cables will reach the distances of each light fitting.
- Avoid locating any cables in positions that would cause a hazard. Position cables and junction boxes (not supplied) away from areas where they may be at risk from being cut, trapped or damaged.
- If this unit is being fitted in a room containing a bath or shower, a 30mA RCD must be used - in accordance with IEE regulations.
- This product is suitable for use in living areas, Bathroom Zone 2 and outside of zones.



Installation

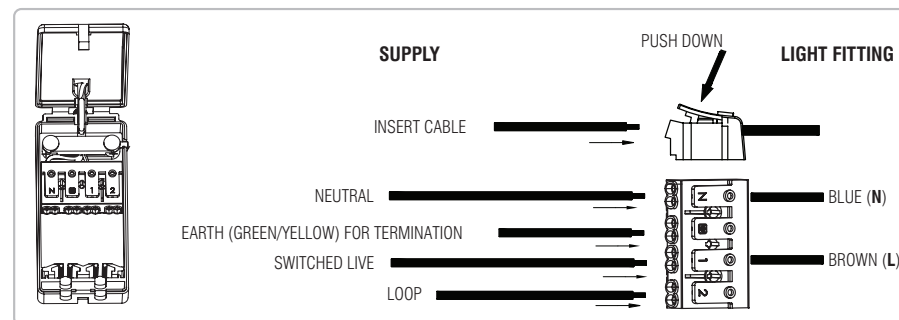
- Existing fittings must be completely removed before installation of a new product. Before removing the existing fitting, carefully note the position of each set of wires.
- Note that the switch is turned off before installation.
- The ceiling surface must be flat and smooth to ensure a good fit.
- Ensure free movement of air by removing void insulation from at least 100mm from around the hole. Under no circumstances must these fittings be covered with insulating matting or similar material.
- The unit must be located a minimum distance of 100mm from a joist.
- Cut the correct size hole using an appropriate tool: : Ø67mm
- It is recommended to cut the hole slightly smaller than needed, then fill the hole until the recessed unit fits snugly.



- Ensure the minimum ceiling void depth is available: 122mm
- Fit the appropriate bulb into the lamp holder. NOTE: Never fit bulbs of a higher wattage than those specified on the label (as these may cause overheating and damage the fitting).
- Fit the appropriate bulb into the lamp holder. NOTE: Never fit bulbs of a higher wattage than those specified on the label (as these may cause overheating and damage the fitting).
- Push the spring clips upwards and fit the two longer arms into the ceiling hole.
- Push the unit up until firmly in position, ensuring that the cable is not trapped.
- Switch on. Your light is now ready for use.

Wiring

- Unclip the cover from the quick fit connection case. Having correctly identified the wiring from your existing light fitting, pull the mains wire through the hole and connect to the connection block inside the quick fit connection case in the following way. No tools are necessary.



Check that...

- You have correctly identified the wires
- The connections are tight
- No loose wires have been left out of the connection block
- The cover on the connection box has been replaced



EU DECLARATION OF CONFORMITY

Manufacturers Name: Solas Geal Distribution
Unit 7/8 Ashbourne Business Centre, Ballybin Road, Ashbourne, Co. Meath, A84 YP58.

Declaration Number : 0020 – SGUFR

This declaration of conformity is issued under the sole responsibility of the manufacturer.

Products: IP65 Fire Rated GU10 Downlight

Model Number: SGUFR-WH, SGUFR-MC

The product/model of the declaration described above is in conformity with the relevant Community harmonisation legislation:

LVD (2014/35/EU)

The product/model of the declaration described above is in conformity with the standards and technical specifications listed below:

**EN 60598-2-2:2012, EN60589-1:2015+A1:2018, EN IEC55015:2019, EN61547:2009,
EN IEC 61000-3-2:2019, EN 61000-3-3:2013+A1:2019**



Signed:

Date:

Place of Issue: Republic of Ireland

