

# Product Information Sheet

COMMISSION DELEGATED REGULATION (EU) 2019/2015 with regard to energy labelling of light sources

**Supplier's name or trade mark:** Source

**Supplier's address:** SGD, Unit 7/8 Ashbourne Business Centre Ballybin Road Ashbourne Co. Meath Ireland A84YP58

**Model identifier:** SFR 6W-WH-CCT

## Type of light source:

Lighting technology used:	LED	Non-directional or directional:	DLS
Light source cap-type (or other electric interface)	N/A		
Mains or non-mains:	MLS	Connected light source (CLS):	No
Colour-tuneable light source:	No	Envelope:	-
High luminance light source:	No		
Anti-glare shield:	No	Dimmable:	Yes

## Product parameters

Parameter	Value	Parameter	Value
-----------	-------	-----------	-------

### General product parameters:

Energy consumption in on-mode (kWh/1000 h), rounded up to the nearest integer	6	Energy efficiency class	F
Useful luminous flux ( $\phi_{use}$ ), indicating if it refers to the flux in a sphere (360°), in a wide cone (120°) or in a narrow cone (90°)	540 in Narrow cone (90°)	Correlated colour temperature, rounded to the nearest 100 K, or the range of correlated colour temperatures, rounded to the nearest 100 K, that can be set	3 000 or 4 000 or 6 500
On-mode power ( $P_{on}$ ), expressed in W	6,0	Standby power ( $P_{sb}$ ), expressed in W and rounded to the second decimal	-
Networked standby power ( $P_{net}$ ) for CLS, expressed in W and rounded to the second decimal	-	Colour rendering index, rounded to the nearest integer, or the range of CRI-values that can be set	82
Outer dimensions without separate control gear, light-	Height	86	Spectral power distribution in the range 250 nm to 800 nm, at full-load
	Width	86	
	Depth	55	
			See image in last page

ing control parts and non-lighting control parts, if any (millimetre)			
Claim of equivalent power <sup>(a)</sup>	-	If yes, equivalent power (W)	-
		Chromaticity coordinates (x and y)	0,380 0,380
<b>Parameters for directional light sources:</b>			
Peak luminous intensity (cd)	602	Beam angle in degrees, or the range of beam angles that can be set	60
<b>Parameters for LED and OLED light sources:</b>			
R9 colour rendering index value	0	Survival factor	0,90
the lumen maintenance factor	0,96		
<b>Parameters for LED and OLED mains light sources:</b>			
displacement factor (cos $\phi_1$ )	0,09	Colour consistency in McAdam ellipses	6
Claims that an LED light source replaces a fluorescent light source without integrated ballast of a particular wattage.	.. <sup>(b)</sup>	If yes then replacement claim (W)	-
Flicker metric (Pst LM)	1,0	Stroboscopic effect metric (SVM)	0,9

(a)'.': not applicable;

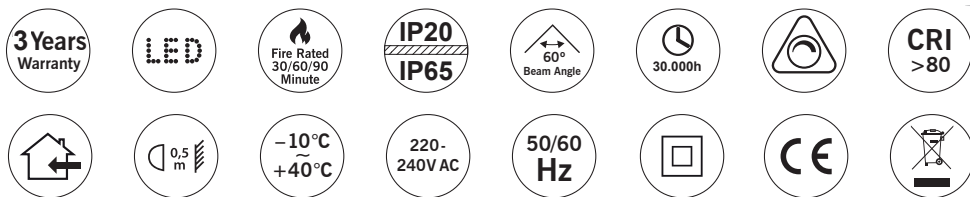
(b)'.': not applicable;



# Installation Instructions

## 6W LED CCT DIMMABLE FIRE RATED DOWNLIGHT

PRODUCT CODE: SFR 6W-WH-CCT



**Non Replaceable Light Source**

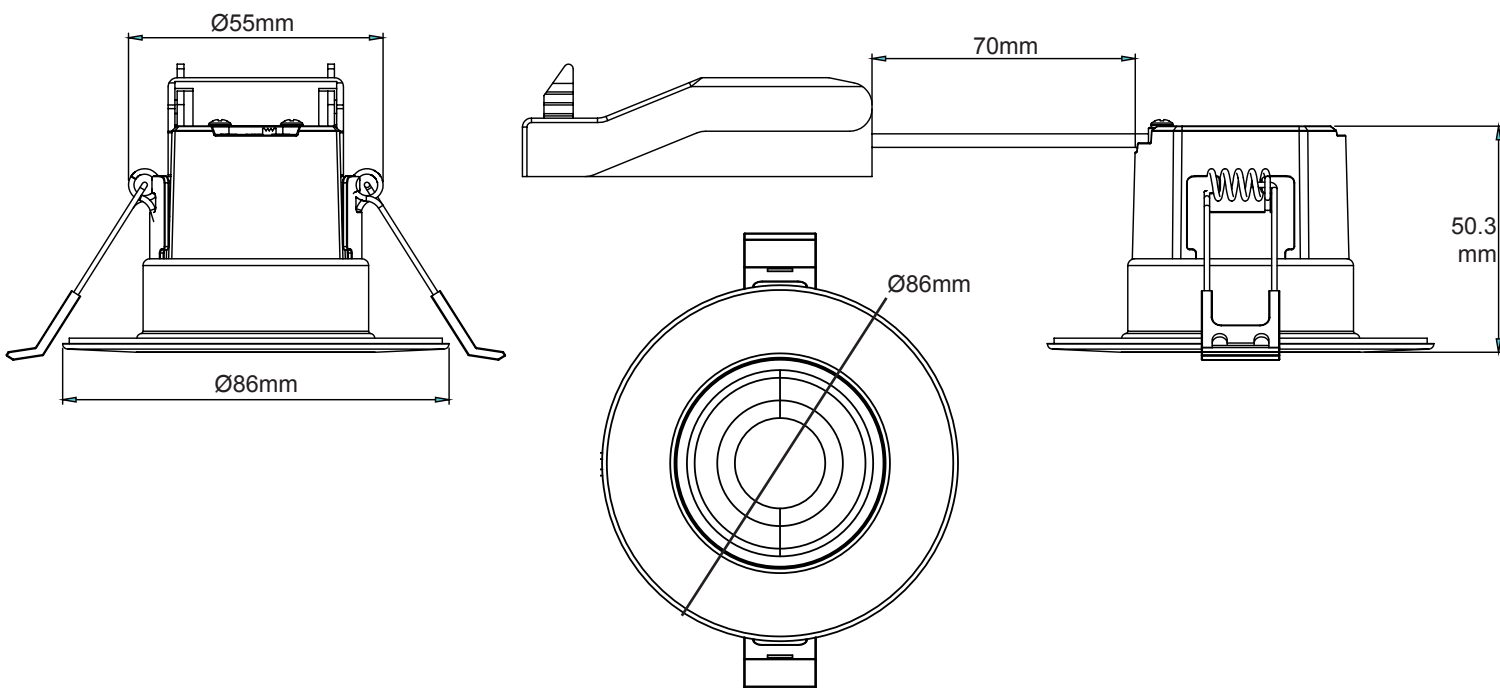
### FEATURES

- Lampless: Built in LED
- Wattage: 6W
- DIP switch for CCT selectable
- Separate junction box
- Loop in and loop out terminals
- Voltage: 220-240V AC
- Lumen: 540Lm/600Lm/540Lm
- Colour Temperature: 3000k/4000k/6500k
- Cut Out: 55-70mm Ø
- Bezel Finish: White.
- Matt Chrome bezel sold separately
- CRI: >80Ra
- Connection: Push on
- Beam Angle: 60°
- Dimmable: Smooth triac dimming, flicker free
- Rating Tested: Fire, Moisture, Acoustic



### IMPORTANT - read before installing

1. This product must be installed by a qualified electrician in accordance with instructions provided and in compliance with recognised electrical and safety regulations relevant to Ireland and UK.
2. Please ensure surface is suitable and capable of holding the luminaire and driver weight
3. Pre-cut hole before installation, 55-70mm Ø
4. Do not operate if product is damaged
5. IP20 rated back, IP65 rated front, suitable for bathroom zones
6. This product is fully tested 30/60 and 90 minutes
7. The product and its associated control gear are designed to operate on 230-240V 50/60Hz.
8. This downlighter range is designed to be installed in a ceiling tile/solid material with a minimum dimension of 3mm thickness.
9. This product is for Indoor use only.

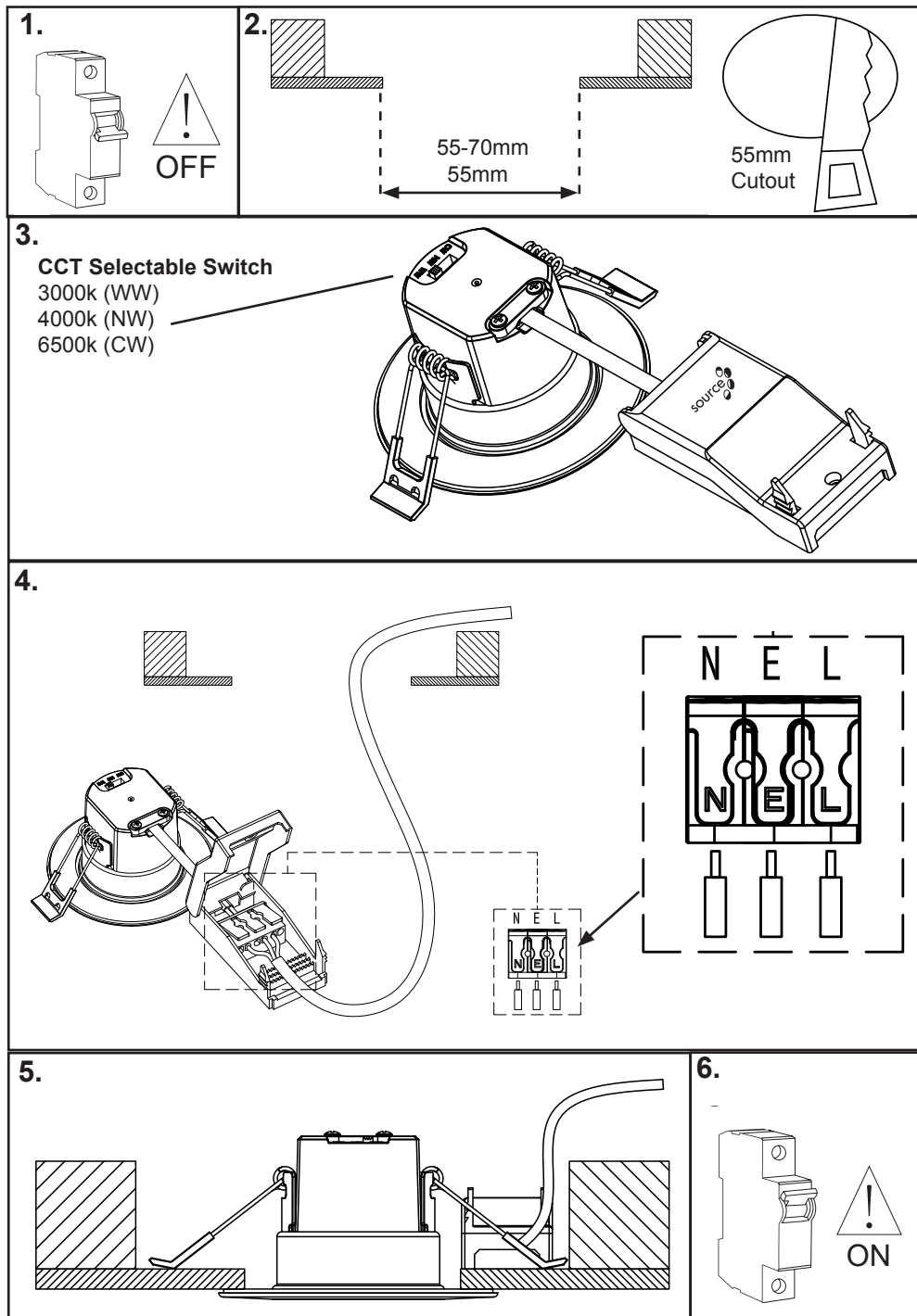


## INSTALLATION DETAILS

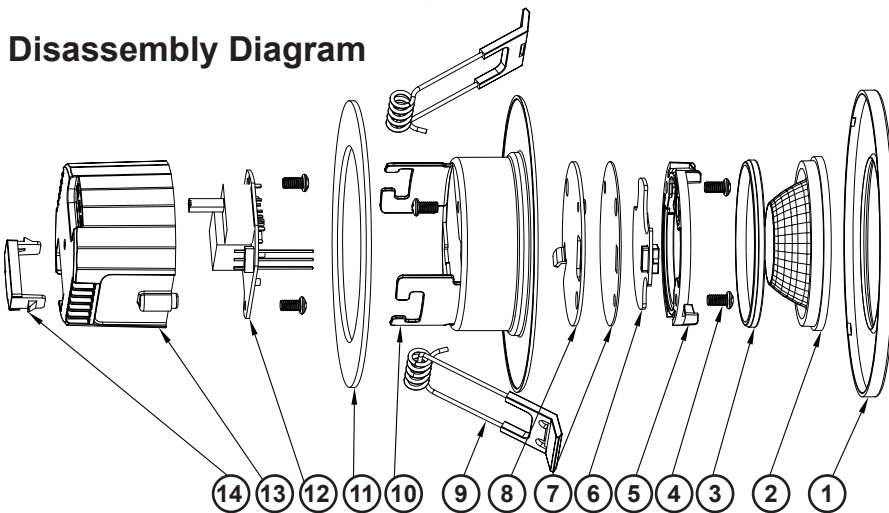
1. Ensure the mains power is turned OFF and cannot be reconnected during installation.
2. Cut the required hole to allow installation. The Cut out diameter for this fitting is 55-70mm
3. Select desired colour temperature of LED (3000k, 4000k, 6500k)
4. Connect the AC/mains cable to the driver using the marked terminals provided. Incoming Cable connections are: L=Live power conductor(brown), N = Neutral power conductor(blue). Connect downlighter to the connector terminals via the connection system provided.
5. Raise the springs and place the downlight into the cut-out aperture ensuring that both the driver and mains power cable are not trapped. Once correctly connected, position the downlighter fully into the aperture so that the outer flange is flush with the installed ceiling tile/solid material
6. Turn mains ON once installation is complete

### Product end of life instruction.

This Lighting product is in the scope of EU 2019/2020 directive on Waste Electrical and Electronic Equipment (WEEE). This product must be disposed according to the legislation. This document is intended for use by end of life recyclers or treatment facilities. It provides the basic information to assure an appropriate end of life treatment for the components and materials of the product. Please follow pictured diagram on the back of this manual showing how to dismantle the product into different components which should be disposed correctly. These components would consist of plastic, metal and electronic materials. It is the responsibility of the end user to dispose of this product correctly. [www.weeireland.ie](http://www.weeireland.ie) or contact your local council for further information.



## Disassembly Diagram



- |                               |                                |
|-------------------------------|--------------------------------|
| 1. Bezel                      | 10. Housing                    |
| 2. Lens                       | 11. Silicone Gasket            |
| 3. Waterproof Ring            | 12. LED Driver                 |
| 4. Screw                      | 13. Back Cover                 |
| 5. Light Panel Pressure Plate | 14. Pressing Plate             |
| 6. PCB                        | 15. Junction Box, bottom cover |
| 7. Thermal Pad                | 16. Terminal Block             |
| 8. Base Plate                 | 17. Junction Box top cover     |
| 9. Spring                     | 18. Cable                      |

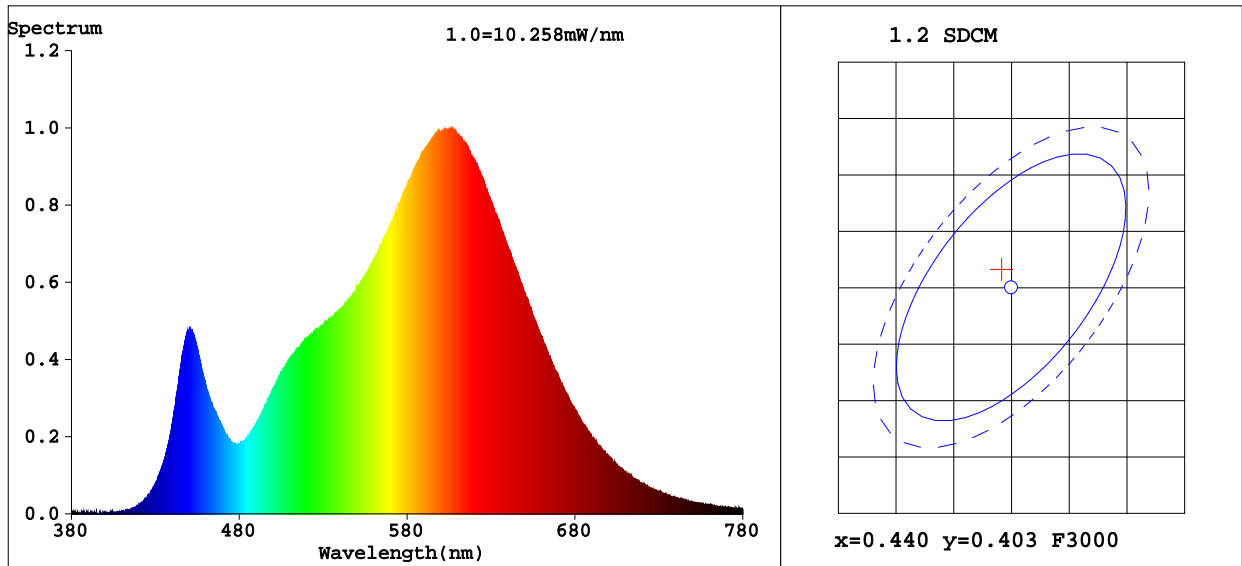
For more information contact:



Unit 7/8 Ashbourne Business Centre, Ballybin Road, Ashbourne, Co. Meath, Ireland, A84 YP58, **Ph:** 00353 1 835 7447  
 Unit 32 Junction One Business Park, Valley Road, Birkenhead, Merseyside, UK, CH41 7ED, **UK Ph:** 0330 551 7000

**Website:** [www.sgd.ie](http://www.sgd.ie)

## Spectrum Test Report



### Color Parameters:

Chromaticity Coordinate:  $x=0.4392$   $y=0.4046$  /  $u'=0.2518$   $v'=0.5219$

CCT=2967K (Duv=-0.0001) Dominant WL:Ld =583.0nm Purity=53.3%

Ratio:R=23.2% G=74.3% B=2.6% Peak WL:Lp=602.3nm FWHM=123.9nm

Render Index:Ra=82.8

R1 =81 R2 =91 R3 =96 R4 =81 R5 =82 R6 =90 R7 =82

R8 =58 R9 =6 R10=81 R11=81 R12=74 R13=84 R14=98 R15=73

### Photo Parameters:

Flux = 490.0 lm Eff. : 79.42 lm/W Fe = 1.488 W

### Electrical parameters:

V = 229.23 V I = 0.03051 A P = 6.169 W PF = 0.8821

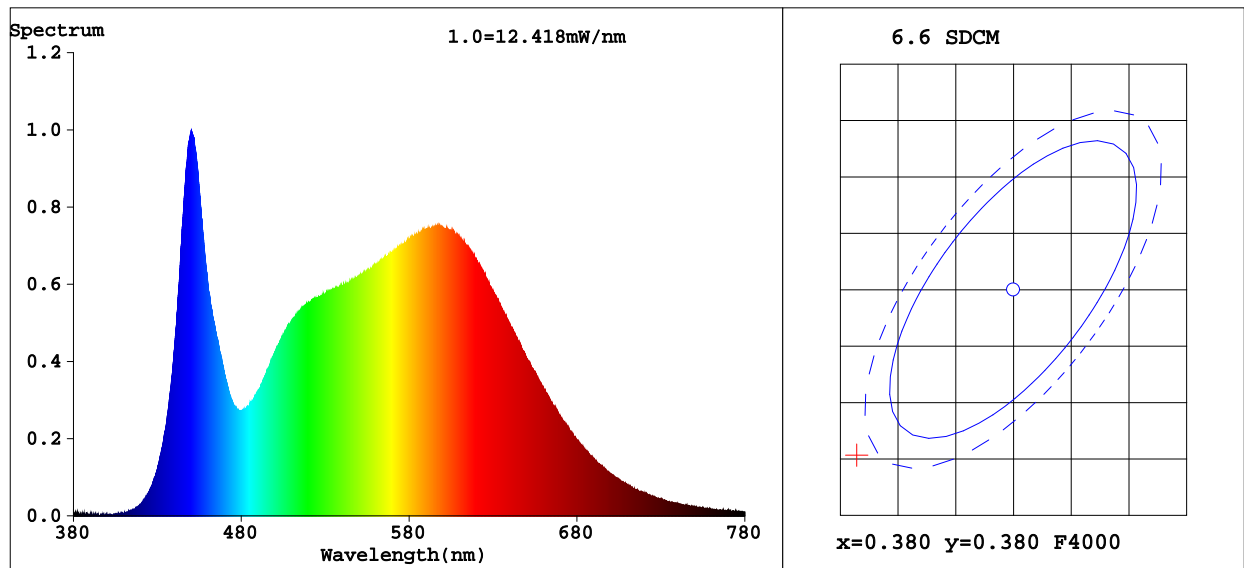
LEVEL:OUT WHITE:ANSI\_3000K

Status: Integral T = 210 ms Ip = 51224 (78%)

Model:SFR 6W-WH-CCT  
6W-3000K  
Tester:  
Temperature:25.3Deg  
Manufacturer:SGD LTD

Number:1  
Date:2023-11-28  
Humidity:65.0%  
Remarks:---

## Spectrum Test Report



### Color Parameters:

Chromaticity Coordinate:  $x=0.3664$   $y=0.3653$   $u'=0.2204$   $v'=0.4943$

CCT=4329K(Duv=-0.0011) Dominant WL:Ld =578.5nm Purity=19.6%

Ratio:R=18.0% G=77.7% B=4.2% Peak WL:Lp=450.3nm FWHM=22.7nm

Render Index:Ra=87.0

R1 =86	R2 =92	R3 =96	R4 =87	R5 =86	R6 =88	R7 =88	
R8 =72	R9 =26	R10=81	R11=87	R12=66	R13=88	R14=98	R15=81

### Photo Parameters:

Flux = 556.8 lm Eff. : 92.46 lm/W Fe = 1.753 W

### Electrical parameters:

V = 229.21 V I = 0.02996 A P = 6.022 W PF = 0.8770

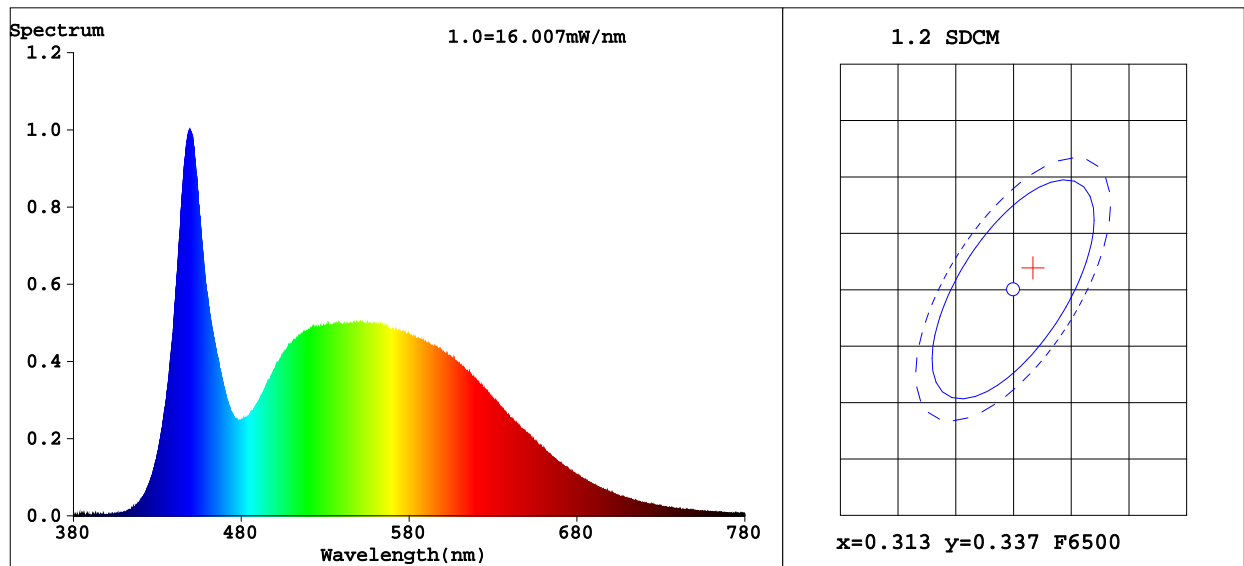
LEVEL:OUT WHITE:ANSI\_4500K

Status: Integral T = 210 ms Ip = 48782 (74%)

Model:SFR 6w-WH-CCT  
-6W-4000K  
Tester:  
Temperature:25.3Deg  
Manufacturer:SGD LTD

Number:2  
Date:2023-11-28  
Humidity:65.0%  
Remarks:---

## Spectrum Test Report



### Color Parameters:

Chromaticity Coordinate:  $x=0.3147$   $y=0.3389$  /  $u'=0.1956$   $v'=0.4738$

CCT=6334K(Duv=0.0072) Dominant WL:Ld =495.6nm Purity=6.0%

Ratio:R=13.4% G=81.1% B=5.4% Peak WL:Lp=449.1nm FWHM=22.3nm

Render Index:Ra=83.6

R1 =81 R2 =87 R3 =91 R4 =84 R5 =82 R6 =82 R7 =90

R8 =72 R9 =12 R10=69 R11=83 R12=60 R13=82 R14=95 R15=76

### Photo Parameters:

Flux = 519.5 lm Eff. : 84.91 lm/W Fe = 1.677 W

### Electrical parameters:

V = 229.27 V I = 0.03030 A P = 6.119 W PF = 0.8807

LEVEL:OUT WHITE:ANSI\_6500K

Status: Integral T = 168 ms Ip = 47172 (72%)

Model:SFR 6W-WH-CCT  
-6W-6500K  
Tester:  
Temperature:25.3Deg  
Manufacturer: SGD LTD

Number:3  
Date:2023-11-28  
Humidity:65.0%  
Remarks:---



## EU DECLARATION OF CONFORMITY

**Manufacturers Name:** Solas Geal Distribution  
Unit 7/8 Ashbourne Business Centre, Ballybin Road, Ashbourne, Co. Meath, A84 YP58.

This declaration of conformity is issued under the sole responsibility of the manufacturer.

**Product Description** LED Fire Rated CCT Downlight.  
**Model Code:** SFR 6W-WH-CCT

The product/model of the declaration described above is in conformity with the relevant  
Community

**Low Voltage Directive** (2014/35/EU)  
**LVD** (2014/35/EU) (amendment 2019/1956)

**RoHS Directive** (EU 2015/863 -2011/65/EU)  
**EMC Directive** (2014/30/EU)

**90 Minute Fire Rated in Accordance with BS 476 Part 21:1987**

The product/model of the declaration described above is in conformity with the below listed  
harmonised stands and technical specifications listed below:

EN IEC 55015:2019+A11:2020, EN 61547:2009, EN IEC 61000-3-2:2019+A1:2021  
EN 61000-3-3:2013/A2:2021/AC:2022-O1  
EN 60598-2-2:2012, EN IEC 60598-1:2021+A11:2022, EN 62493:2015+A1:2022



*Signed:*

*Date:* 22/02/24

*Place of Issue:* Republic of Ireland

