

Product Information Sheet

COMMISSION DELEGATED REGULATION (EU) 2019/2015 with regard to energy labelling of light sources

Supplier's name or trade mark: Source

Supplier's address: SGD, Unit 7/8 Ashbourne Business Centre Ballybin Road Ashbourne Co. Meath Ireland A84YP58

Model identifier: SFR 5.5W-MC CCT

Type of light source:

Lighting technology used:	LED	Non-directional or directional:	DLS
Light source cap-type (or other electric interface)	SMD2835		
Mains or non-mains:	NMLS	Connected light source (CLS):	No
Colour-tuneable light source:	No	Envelope:	-
High luminance light source:	No		
Anti-glare shield:	No	Dimmable:	Yes

Product parameters

Parameter	Value	Parameter	Value
-----------	-------	-----------	-------

General product parameters:

Energy consumption in on-mode (kWh/1000 h), rounded up to the nearest integer	6	Energy efficiency class	F
Useful luminous flux (ϕ_{use}), indicating if it refers to the flux in a sphere (360°), in a wide cone (120°) or in a narrow cone (90°)	520 in Narrow cone (90°)	Correlated colour temperature, rounded to the nearest 100 K, or the range of correlated colour temperatures, rounded to the nearest 100 K, that can be set	3 000 or 4 000 or 6 000
On-mode power (P_{on}), expressed in W	6,0	Standby power (P_{sb}), expressed in W and rounded to the second decimal	-
Networked standby power (P_{net}) for CLS, expressed in W and rounded to the second decimal	-	Colour rendering index, rounded to the nearest integer, or the range of CRI-values that can be set	80
Outer dimensions without separate control gear, light-	Height	55	Spectral power distribution in the range 250 nm to 800 nm, at full-load
	Width	85	
	Depth	85	
			See image in last page

ing control parts and non-lighting control parts, if any (millimetre)			
Claim of equivalent power ^(a)	-	If yes, equivalent power (W)	-
		Chromaticity coordinates (x and y)	0,437 0,405
Parameters for directional light sources:			
Peak luminous intensity (cd)	560	Beam angle in degrees, or the range of beam angles that can be set	60
Parameters for LED and OLED light sources:			
R9 colour rendering index value	84	Survival factor	-
the lumen maintenance factor	-		

(a)¹⁾ : not applicable;

(b)¹⁾ : not applicable;

Installation Instructions



LED FIRE RATED CCT DOWNLIGHT and TILTED CCT DOWNLIGHT

Product codes:

SFR 5.5W-WH-CCT, SFR 5.5W-MC-CCT
SFR TL 5.5W-WH-CCT, SFR TL 5.5W-MC-CCT

Specification

Supply: 240V ~ 50Hz

Lamp: 5.5W LED:480-520lm

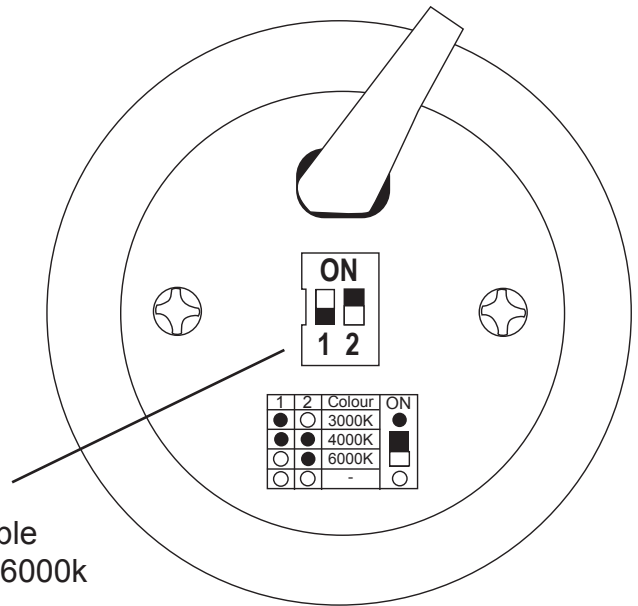
Dimming: This product is suitable for dimming.

CCT Switch: 3000k, 4000k, 6000k

IP Rating: Standard Version = IP65
Tilted Version = IP20

**Non-Replaceable
Light Source**

CCT LED
Colour selectable
3000k, 4000k, 6000k



Warning

This product is double insulated and does not require connection to an Earth circuit.
This product should be installed by a qualified electrician.

Layout

Plan the desired layout of these fittings carefully, ensuring the cables will reach the distances between each light fitting.

- Avoid locating any cables in positions that can cause a hazard. Position cables and junction boxes (not supplied) away from areas where they may be at risk from being cut, trapped or damaged.
- The mains supply cable must have a minimum cross sectional area of 1.0mm²
- The distance between units must be 0.5m minimum.
- The unit must be located a minimum distance of 50mm from a joist.
- This product must be mounted out of arms reach.
- The product is suitable for covering with thermal insulation, max 32cm depth.

Fitting/replacing bulbs

The LEDs in this product are non replaceable. We recommend cleaning with a soft dry cloth. Do not use solvents or abrasive cleaners as these could damage the finish.

Installation

This product complies with Building Regulations Part B and is suitable for use in 30, 60 or 90 minute fire resistance. Please read these rated ceilings. Read instructions carefully before commencing any work.

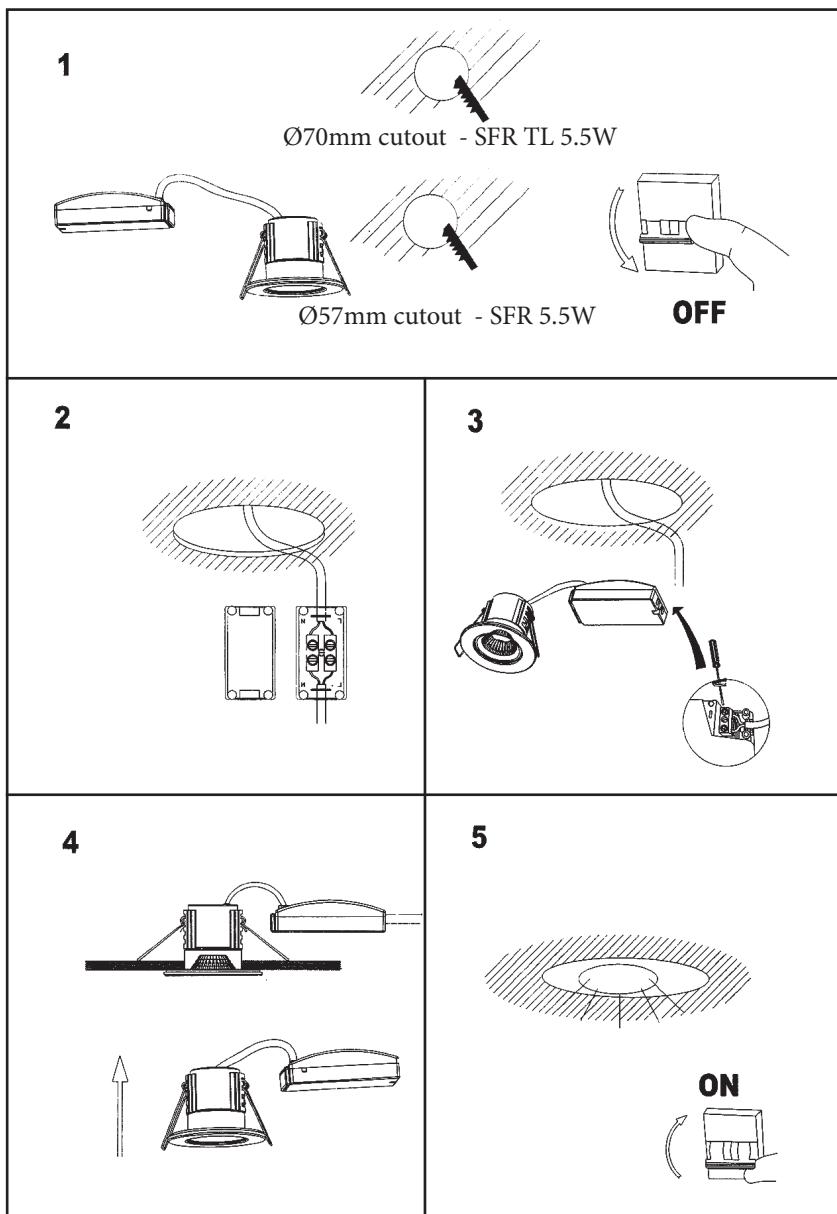
Insure that:

- You have correctly identified the wires.
- Install in accordance with IEE Wiring regulations and Regulations.
- The connections are tight.
- No loose strands have been left out of the connection block.
- The cover on the connection box has been replaced.

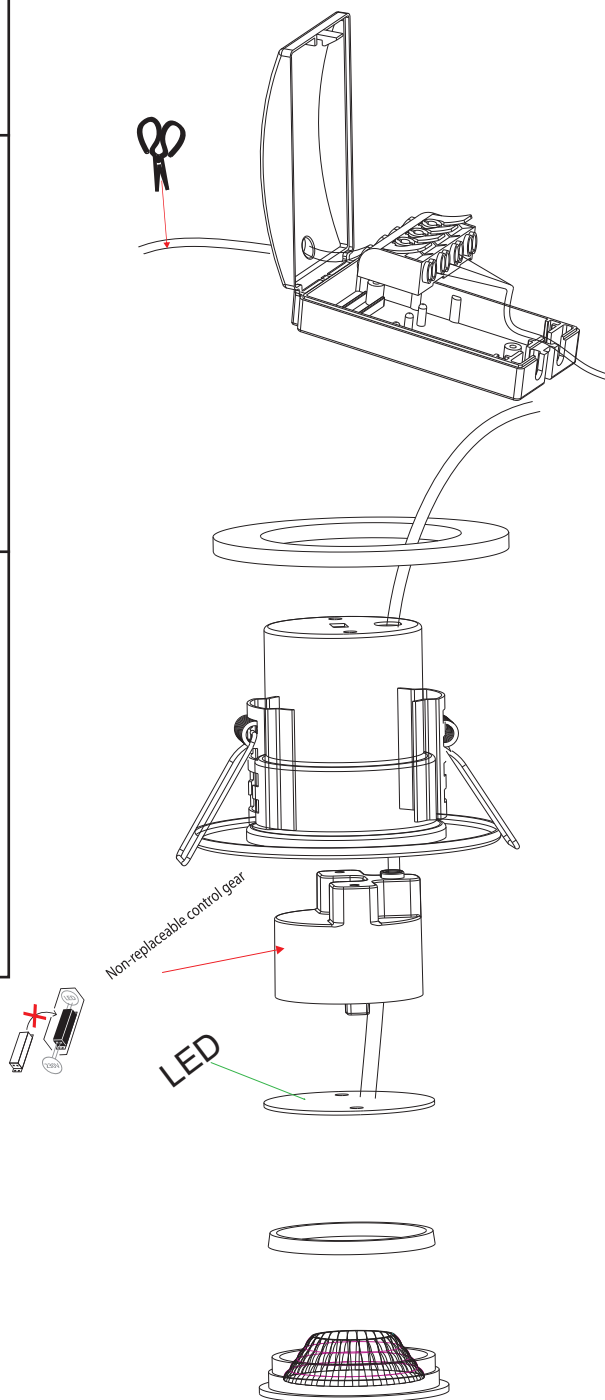
Follow the instruction diagrams on the back page:

1. Cut a mounting hole 57mm diameter (70mm if installing tilted downlight SFR TL 5.5W) in the ceiling taking care not to foul any pipes, mains cables or joists beneath the surface. It is always recommended to cut the hole slightly smaller than the size specified, and then file the hole until the recessed unit fits snugly. (pic 1).
2. Ensure a minimum ceiling void depth of 90mm is available. The ceiling surface must be flat and smooth to ensure a good fit. (pic 2)
3. Push the spring clips upwards and fit into the ceiling hole, then push the unit up until firmly in position, ensuring that no cables are trapped. (pic 3)

4. Ensure that the product is sitting properly in the hole. (pic 4)
5. Replace circuit breaker and switch on. Your light is now ready for use. (pic 5)



Disassembly Diagram



Product end of life instruction.

This Lighting product is in the scope of EU 2019/2020 directive on Waste Electrical and Electronic Equipment (WEEE). This product must be disposed according to the legislation. This document is intended for use by end of life recyclers or treatment facilities. It provides the basic information to assure an appropriate end of life treatment for the components and materials of the product. Please follow pictured diagram showing how to dismantle the product into different components which should be disposed of correctly. These components consist of plastic, metal and electronic materials. It is the responsibility of the end user to dispose of this product correctly. www.weeeireland.ie or contact your local council for further information.

For more information contact: Unit 7/8 Ashbourne Business Centre, Ballybin Road, Ashbourne, Co. Meath, Ireland, A84 YP58, **Phone:** 00353 1 835 7447
 Unit 32 Junction One Business Park, Valley Road, Birkenhead, Merseyside, UK, CH41 7ED, **UK Ph:** 0330 551 7000
Website: www.sgd.ie



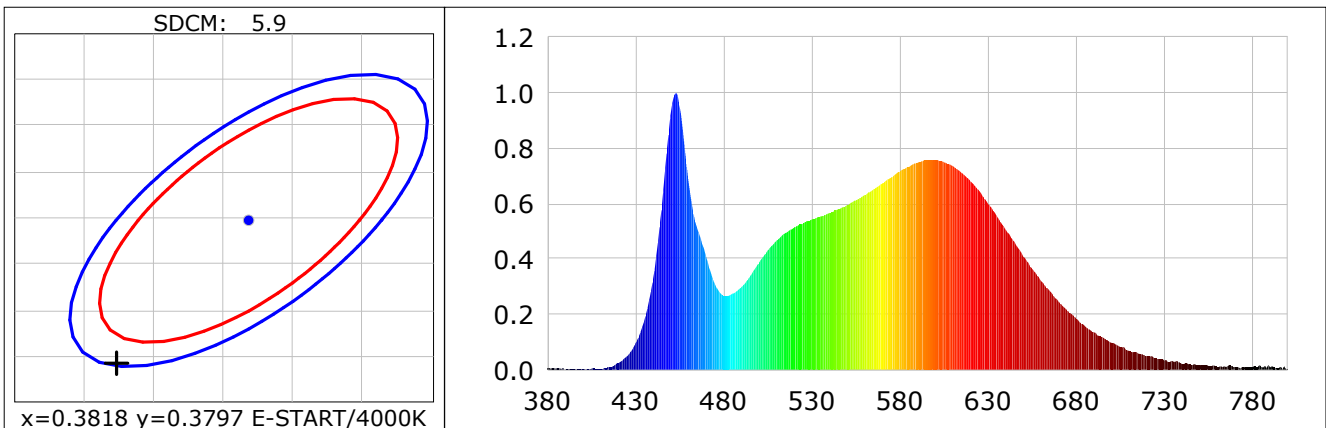
Test Report

Product Information

Product Type: SFR5.5W-WH-CCT 4000K Product Number: 2

CIE Colorimetric Parameters

Chromaticity coordinates: $x=0.3723$ $y=0.3642$ $u(u')=0.2247$ $v=0.3298$ $v'=0.4947$
CCT: $T_c=4142K$ ($duv=-0.00353$) Color Ratio: $R=0.188$ $G=0.770$ $B=0.042$
Peak Wavelength: 453.0nm Half Bandwidth: 22.2nm
Dominant Wavelength: 580.9nm Color Purity: 0.210
CRI: $R_a=87.1$ TM30: $R_f=84$, $R_g=96$
 $R_1=87$ $R_2=94$ $R_3=96$ $R_4=86$ $R_5=87$ $R_6=90$ $R_7=86$ $R_8=71$
 $R_9=27$ $R_{10}=84$ $R_{11}=86$ $R_{12}=67$ $R_{13}=89$ $R_{14}=98$ $R_{15}=83$
Color Quality Scale: $Q_a=85.1$, $Q_f=85.0$, $Q_p=85.7$, $Q_g=94.8$
 $Q_1=84$ $Q_2=98$ $Q_3=81$ $Q_4=78$ $Q_5=83$ $Q_6=86$ $Q_7=89$ $Q_8=91$
 $Q_9=98$ $Q_{10}=91$ $Q_{11}=87$ $Q_{12}=86$ $Q_{13}=85$ $Q_{14}=78$ $Q_{15}=80$



Photometric Parameters

Luminous Flux: 638.16 lm Efficiency: 122.72 lm/W Radiant Power: 2.003 W
EEI: 0.10 Energy Efficiency Class: A++ (EU 874-2012)

Electric Parameters

Voltage: 230.00V Current: 0.0240A Power: 5.20W
Power Factor: 0.9410 Frequency: 50.00Hz

Test Information

Scan Range: 380~800:1nm Photometric Method: sphere-spectroradiometer
Stabilization Time: 0 Sec Photometric Condition: Sphere diameter: 1.50m, 4 π
Max of Signal: 50939 (4177) CCD Integration Time: 761.15 ms

Condition:
Test Lab:
Operator: SGD LTD

Test Time: 2022-09-22 15:36:14



EU DECLARATION OF CONFORMITY

Manufacturers Name: Solas Geal Distribution

Unit 7/8 Ashbourne Business Centre, Ballybin Road, Ashbourne, Co. Meath, A84 YP58.

This declaration of conformity is issued under the sole responsibility of the manufacturer.

Product Description LED Fire Rated CCT Downlight.

Model Code: SFR 5.5-WH-CCT, SFR 5.5-MC-CCT, SFR TL 5.5-WH-CCT, SFR TL 5.5-MC-CCT

The product/model of the declaration described above is in conformity with the relevant Community

Low Voltage Directive (2014/35/EU)
LVD (2014/35/EU) (amendment 2019/1956)

RoHS Directive (EU 2015/863 -2011/65/EU)
EMC Directive (2014/30/EU)

90 Minute Fire Rated in Accordance with BS 476 Part 21:1987

The product/model of the declaration described above is in conformity with the below listed harmonised stands and technical specifications listed below:

EN-61058-1:2018, IEC/TR 62778:2014, EN 62493:2015
EN 60598-2-2:2012, EN60589-1:2015+A1:2018, EN 61347-2-13:2014+A1:2017, EN 61347-1:2015, IEC 61347-2-13:2014+A1-2016, EN 61347-2-13:202014+A1:2017,
IEC 61347-1:2015+A1:2017, EN 61247-1:2015, EN 62031:2008+A1:2013+A2:2015,
IEC 60598-2-2-2011, IEC 60598-1:2014+A1:2017
EN6100-3-2:2019, EN61000-3-3:2013+A1:2019



Signed:

Date: 12/02/24

Place of Issue: Republic of Ireland

