

# DISASSEMBLY INSTRUCTIONS



## Installation Instructions SMALL EMERGENCY BULKHEAD



PRODUCT CODE: SEM-SM BH P04

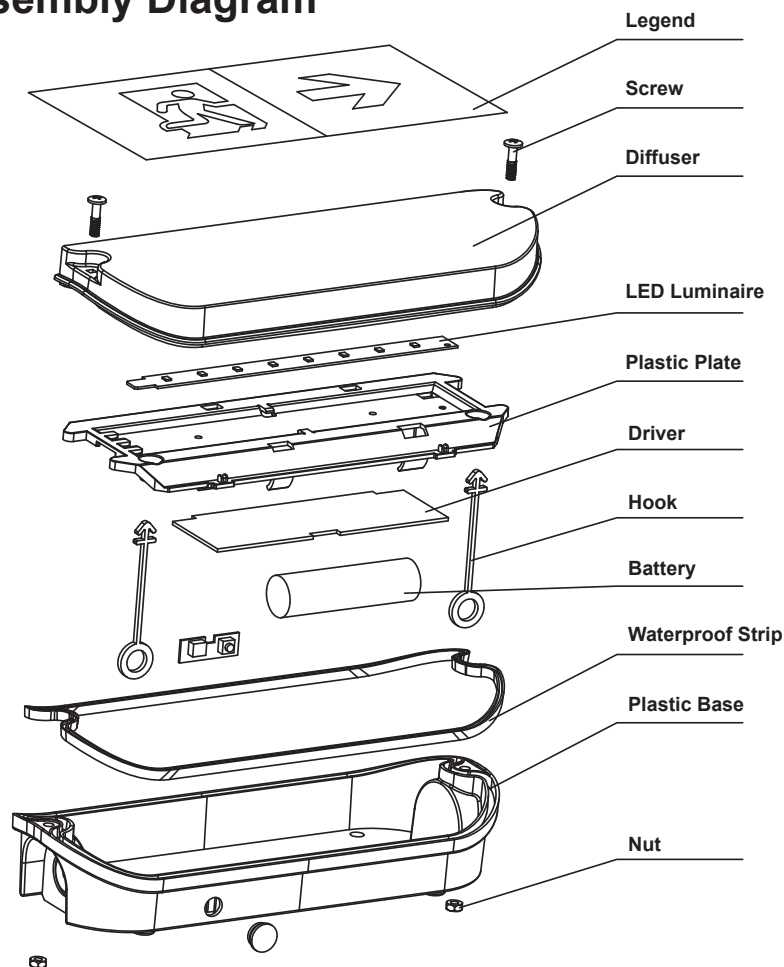
### Product end of life instruction.

This Lighting product is in the scope of EU 2019/2020 directive on Waste Electrical and Electronic Equipment (WEEE). This product must be disposed of, according to the legislation. This document is intended for use by end of life recyclers or treatment facilities. It provides the basic information to assure an appropriate end of life treatment for the components and materials of the product.

Please follow pictured diagram on the back of this manual showing how to dismantle the product into different components which should be disposed of correctly. These components consist of plastic, metal and electronic materials.

It is the responsibility of the end user to dispose of this product correctly. Contact [www.weeireland.ie](http://www.weeireland.ie) or your local council for further information.

## Disassembly Diagram

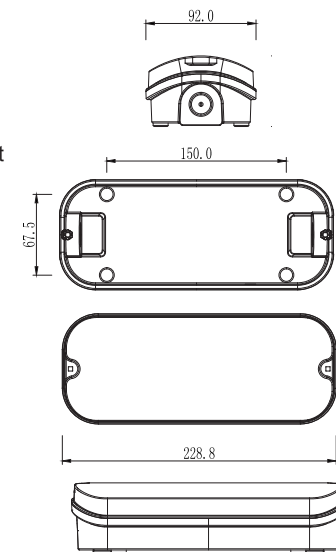


**SAFETY** This is a mains powered product. It must be installed by a qualified electrician and in accordance with applicable building and electrical regulations. Before installation or maintenance, the electrical supply to the product must be isolated.

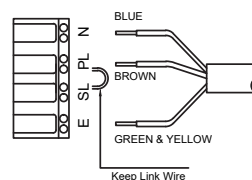
**WARRANTY** This product has a 5 year warranty. This warranty does not include batteries or fuses. There is a 3 year warranty for the LiFe P04.

### LUMINAIRE INSTALLATION

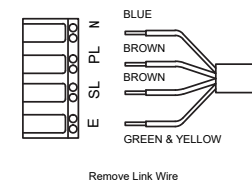
1. Remove diffuser by unscrewing the two screws
2. Screw the base to the chosen mounting surface using the 4 screw fixing points in the base. **Note: It is the responsibility of the installer to ensure that these fixing points are sealed to ensure that IP65 rating is maintained. The use of a silicone sealant is recommended.**
3. Select one of the available cable entry points on the base (one on either end and drill to suitable size to suit IP65 rated (or better) cable entry gland (not provided).
4. Install cable entry gland.
5. Depending on which variant of the product you have, determine your required function and route the appropriate power supply cable to the terminal block and terminate as shown.



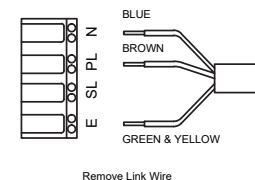
FOR MAINTAINED OPERATION (NON-SWITCHABLE)



FOR MAINTAINED OPERATION (SWITCHABLE)



FOR NON-MAINTAINED OPERATION



6. If applicable, tighten cable gland to seal and secure mains cable.
7. Connect the battery pack to the PCB by connecting the female socket on the battery wires to the male plug mounted on the PCB, ensuring the correct orientation.
8. Enter the 'Installation Date' in the appropriate place on the battery pack label.
9. Refit the diffuser and secure using the two screws.
10. Reconnect the power supply and check the green LED charge indicator illuminates.
11. The batteries should be allowed to charge for at least 24 hours before carrying out a full discharge test to check they are charging correctly and the maintained duration is being achieved.

### OPERATION / MAINTENANCE

1. P04 LIFE batteries should be changed after 2 years.
2. This luminaire **MUST** be disconnected before it is subjected to any high voltage or insulation resistance testing.
3. Ensure cleanliness of luminaire is maintained so as not to affect performance.

For more information contact:

Unit 7/8 Ashbourne Business Centre, Ballybin Road, Ashbourne, Co. Meath, Ireland, A84 YP58,  
Phone: 00353 1 835 7447

Unit 32 Junction One Business Park, Valley Road, Birkenhead, Merseyside, UK, CH41 7ED,  
UK Ph: 0330 551 7000

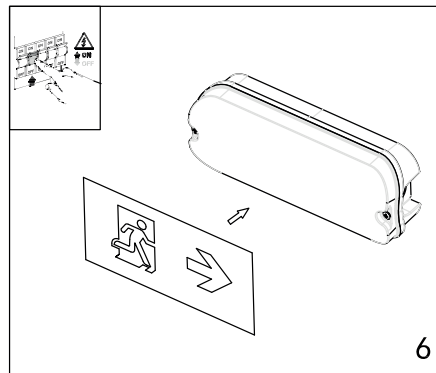
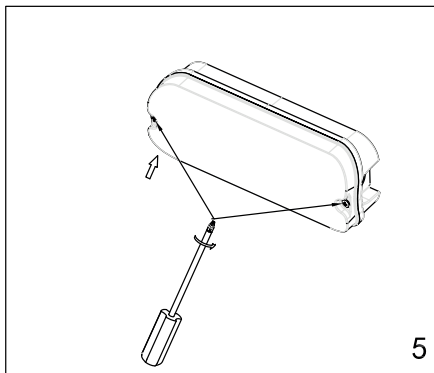
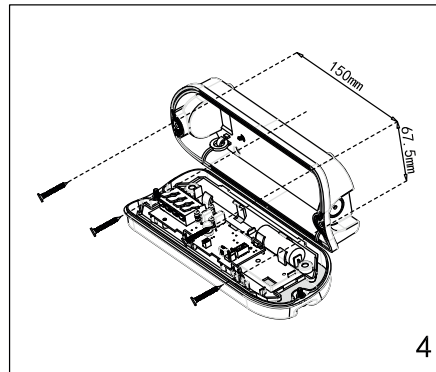
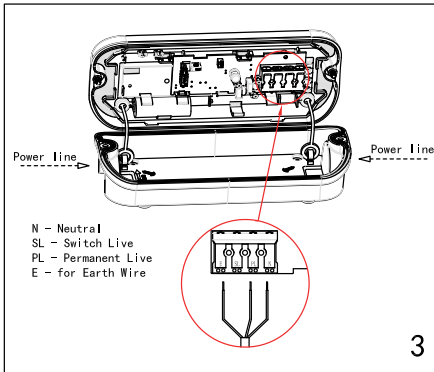
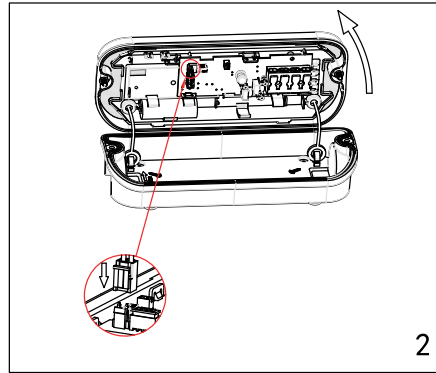
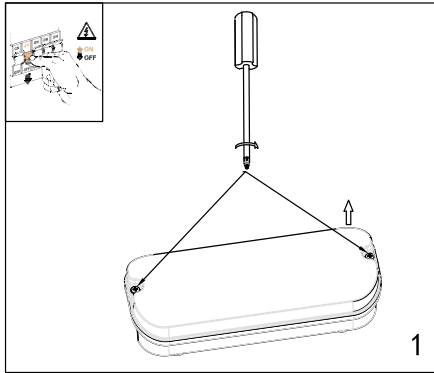
Website: [www.sgd.ie](http://www.sgd.ie)



Solas Geal Distribution



# Installation Diagram



**Note:**

- No AC power will cause luminaire to enter Emergency mode
- After a repair, please connect AC power and perform a test (for performance confirmation).
- If the battery and LED board failure simultaneously, the red LED will flash.
- Any beep sound will stop after correct maintenance or repair.
- Manual testing will not affect the monthly and annual testing schedule.
- During non-maintained mode, if the battery is faulty, the LED indicator will light red and beep. If the LED on the heads are faulty, this will only be shown on monthly self test, and not before
- All Emergency lighting tests must be logged. The Emergency lighting logbook must be provided in order to be covered by any warranties.

## TESTING FOR EMERGENCY LUMINAIRES

Recommended routine test procedures in line with IRL I.S 3217:2013-A1:2017 and UK BS 5266 and BS EN 50172

### Monthly Functional Test

- Simulate a mains supply failure by isolating the circuit (ensuring if it is safe to do so) or by way of a test key switch if fitted into the circuit.
- This should be for the full 3-hour rated duration
- Check that the light source illuminates and remains illuminated for the full rated duration period.
- Once complete, ensure the normal supply is restored and that the green LED charge indicator illuminates
- Log result/comments in the testing log book

### Annual Discharge Test

- Simulate a mains supply failure by isolating the circuit (ensuring if it is safe to do so) or by way of a test key switch is fitted into the circuit. This should be done for the full 3 hour duration
- Check that the light source illuminates and remains illuminated for the full rated duration period.
- Once complete, ensure the normal supply is restored and that the green LED charge indicator illuminates.
- Log results in the Testing Log book below.

## TESTING LOG BOOK

Luminaire Type: ..... Luminaire Location/No.: .....

MONTH	TEST	FIRST YEAR		SECOND YEAR		THIRD YEAR <small>recommend Battery Change (LiFePO4 only)</small>		FOURTH YEAR		FIFTH YEAR	
		Signed	Date	Signed	Date	Signed	Date	Signed	Date	Signed	Date
1	FUNCTIONAL										
2	FUNCTIONAL										
3	FUNCTIONAL										
4	FUNCTIONAL										
5	FUNCTIONAL										
6	FUNCTIONAL										
7	FUNCTIONAL										
8	FUNCTIONAL										
9	FUNCTIONAL										
10	FUNCTIONAL										
11	FUNCTIONAL										
12	DISCHARGE										

Installed By: ..... Installed Date: .....

Contact Details: .....  
.....



## EU DECLARATION OF CONFORMITY

**Manufacturers Name:** Solas Geal Distribution  
Unit 7/8 Ashbourne Business Centre, Ballybin Road, Ashbourne, Co. Meath, A84 YP58.

**Declaration Number:**  
099-SEM SM BH PO4

This declaration of conformity is issued under the sole responsibility of the manufacturer.

**Products:**  
Mini Emergency Bulkhead 6500K IP65, 2W 3.6V LiFe PO4 3.2V 1000mAh Maintained/NM

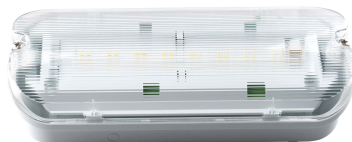
**Model Number:**  
SEM SM BH PO4

The product/model of the declaration described above is in conformity with the relevant  
Community harmonisation legislation:

**Low Voltage Directive (2014/35/EU)**  
**EMC (2014/30/EU)**

The product/model of the declaration described above is in conformity with the standards  
and technical specifications listed below:

EN55015:2013+A1:2015, EN61547:2009, EN61000-3-2:2014, EN6100-2-3:2013,  
EN60598-1:2015, EN60598-2-22:2014



*Signed:*

*Date:* 20/12/23

*Place of Issue:* Republic of Ireland

