

# Installation Manual



Product Code	Description	Amp	Voltage	Size
SIS-20-4P-SM	IP65 20A 4 Pole AC Rotary Alternating Current Small Isolator	20A	415v	100 x 125mm
SIS-32-4P-SM	IP65 32A 4 Pole AC Rotary Alternating Current Small Isolator	32A	415v	100 x 125mm
SIS-40-4P-SM	IP65 40A 4 Pole AC Rotary Alternating Current Small Isolator	40A	415v	100 x 125mm
SIS-20-4P-LA	IP65 20A 4 Pole AC Rotary Alternating Current Large Isolator	20A	415v	115 x 173mm
SIS-32-4P-LA	IP65 32A 4 Pole AC Rotary Alternating Current Large Isolator	32A	415v	115 x 173mm
SIS-40-4P-LA	IP65 40A 4 Pole AC Rotary Alternating Current Large Isolator	40A	415v	115 x 173mm
SIS-63-4P	IP65 63A 4 Pole AC Rotary Alternating Current Large Isolator	63A	415v	115 x 173mm
SIS-80-4P	IP65 80A 4 Pole AC Rotary Alternating Current Large Isolator	80A	415v	156 x 273mm
SIS-125-4P	IP65 125A 4 Pole AC Rotary Alternating Current Large Isolator	125A	415v	156 x 273mm
SIS-25-4P-DC	IP65 25A 4 Pole DC Rotary Direct Current Isolator	25A	1000v	115 x 173mm
SIS-40-4P-DC	IP65 32A 4 Pole DC Rotary Direct Current Isolator	40A	1000v	115 x 173mm

This product must be installed by a Qualified Electrician in order to comply with current IEE wiring regulations and local building control.

## DESCRIPTION

The 4 Poles Rotary Isolator is mainly used for AC 50Hz, rated working voltage below 440V, and rated current up to 125A electrical circuit. Used as the main switch for ventilation equipment, air conditioning, and water pump systems, it can also directly control small capacity AC power Motivation. The switch can be installed in an environment with pollution levels. The product meets the standards IEC60947-3.

**Feature:** compact structure, exquisite material selection, good insulation, finger protection function, and IP65 weatherproof protection

## Operational Conditions

- (1) The ambient air temperature shall not exceed +40°C, and the average temperature within 24 hours shall not exceed +35°C;
- (2) The lower limit of ambient air humidity shall not exceed -25°;
- (3) The altitude of the installation site shall not exceed 2000m
- (4) When the maximum humidity is +40°C, the relative temperature of the air does not exceed 50%,

## Number of main contact positions:

### ON or OFF positions

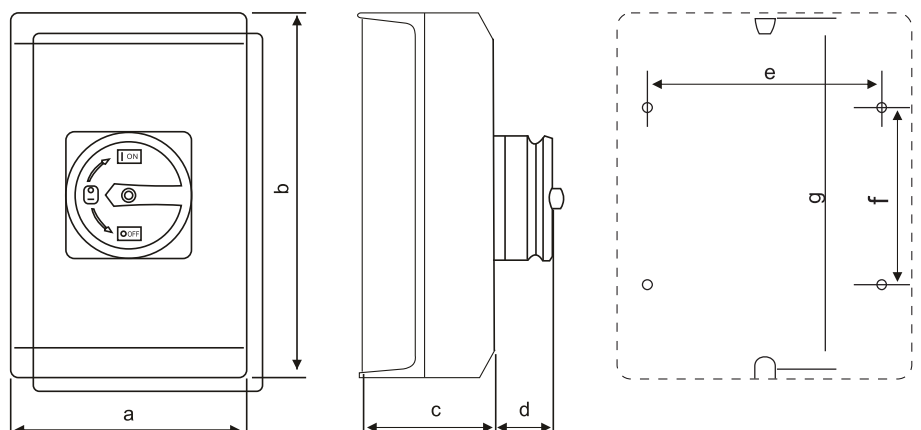
**Rated working system:** 8-hour working system/intermittent cycle working system, operation, the frequency is 30 times per hour.

**Electrical lifespan:** 10000 cycles at AC-23, 6000 cycles at AC-3, and 2000 cycles for auxiliary contacts

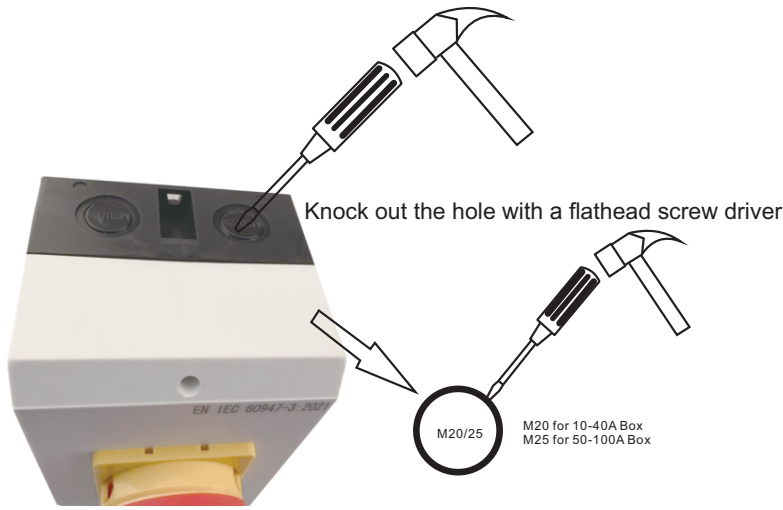
- IP65 Rating
- Switch Body IP20
- Fully Insulated Enclosure
- Top & Bottom Knockouts
- Earth Terminals Included
- Captive Retained Cover Screws
- Can be Padlocked
- 4 Pole

## MEASUREMENTS

Model	a	b	c	d	e	f
SIS-20-4P-SM	100	125	88	35	80	115
SIS-32-4P-SM	100	125	88	35	80	115
SIS-40-4P-SM	100	125	88	35	80	115
SIS-20-4P-LA	115	173	100	35	90	165
SIS-32-4P-LA	115	173	100	35	90	165
SIS-40-4P-LA	115	173	100	35	90	165
SIS-63-4P	115	173	100	35	90	165
SIS-80-4P	160	240	100	43	142	193
SIS-125-4P	160	240	100	43	142	193
SIS-25-4P-DC	115	173	100	35	90	165
SIS-40-4P-DC	115	173	100	35	90	165



MOUNTING SIZE



### SIS-40-4P-DC / SIS-25-4P-DC

4P	4T	4B	4S	
				DC 1000V/4P 25A / 32A IEC/EN 60947-3, AS60947.3 DC-PV2/DC-PV1/DC-21B Ui=1200V Uimp=8KV No Polarity Ambient Temperature: -40°C~+85°C Solar at 40°C=32 Amps Solar at 60°C= 29 Amps Switch body(IP20) :Vertically



**SIS-25-4P-DC**  
IP65 25A 4 Pole Direct Current Rotary Isolator  
Also Available in 40A  
115 x 173mm



**SIS-20-4P-SM**  
IP65 25A 4 Pole Alternating Current Rotary Isolator, Small  
Also Available in 32A and 40A  
100 x 125mm

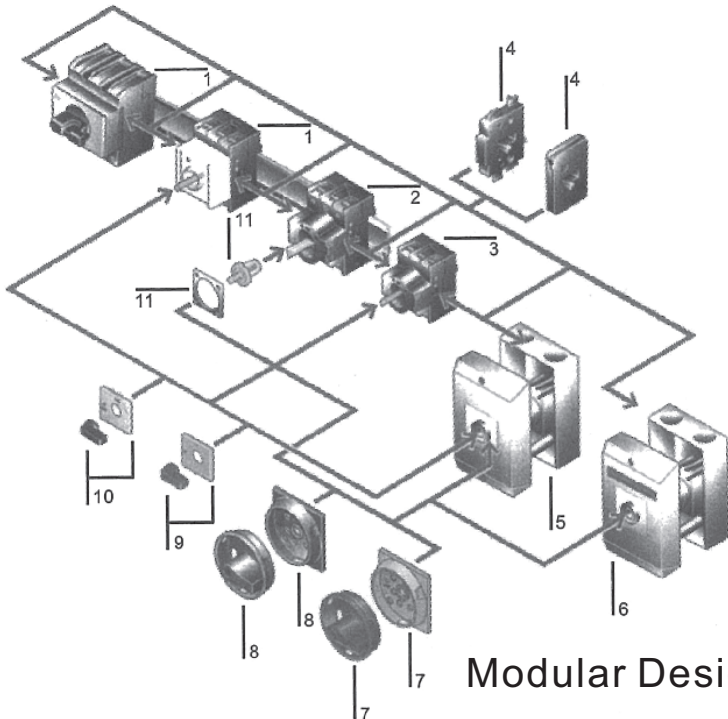


**SIS-125-4P**  
IP65 125A 4 Pole Direct Current Rotary Isolator, Extra Large  
Also Available in 80A  
156 x 273mm



**SIS-20-4P-LA**  
IP65 20A 4 Pole Alternating Current Rotary Isolator, Large  
Also Available in 32A, 40A, 63A  
115 x 173mm

### Disassembly Diagram



### Modular Design

#### Product end of life instruction.

This product is in the scope of EU 2019/2020 directive on Waste Electrical and Electronic Equipment (WEEE). This product must be disposed according to the legislation. This document is intended for use by end of life recyclers or treatment facilities. It provides the basic information to assure an appropriate end of life treatment for the components and materials of the product. Please follow pictured diagram (left) showing how to dismantle the product into different components which should be disposed of correctly. These components consist of plastic, metal and electronic materials. It is the responsibility of the end user to dispose of this product correctly. [www.weeireland.ie](http://www.weeireland.ie) or contact your local council for further information.

For more information contact:

Unit 7/8 Ashbourne Business Centre, Ballybin Road, Ashbourne, Co. Meath, Ireland, A84 YP58  
**Phone:** +353 1 835 7447  
**Website:** [www.sgd.ie](http://www.sgd.ie)



Solas Geal Distribution





## EU DECLARATION OF CONFORMITY

**Manufacturers Name:** Solas Geal Distribution  
Unit 7/8 Ashbourne Business Centre, Ballybin Road, Ashbourne, Co. Meath, A84 YP58.

This declaration of conformity is issued under the sole responsibility of the manufacturer.

**Product Description:**  
IP65 4 POLE ROTARY ISOLATORS

**Model Codes:**  
SIS-80-4P, SIS-125-4P, SIS-20-4P-LA, SIS-32-4P-LA, SIS-40-4P-LA, SIS-63-4P,  
SIS-20-4P-SM, SIS-32-4P-SM, SIS-40-4P-SM, SIS-25-4P-DC, SIS-40-4P-DC

The product/model of the declaration described above is in conformity with the relevant Community harmonisation legislation.

### Low Voltage Directive (2014/35/EU)

The product/model of the declaration described above is in conformity with the standards and technical specifications listed below:

EN IEC 60947-3:2021, EN 60529:1991+A1:2000 + A2:2013



*Signed:*

*Date:* 15/9/25

*Place of Issue:* Republic of Ireland

