



Installation

Product Code: EWAL UP Vintage Framed Wall Light

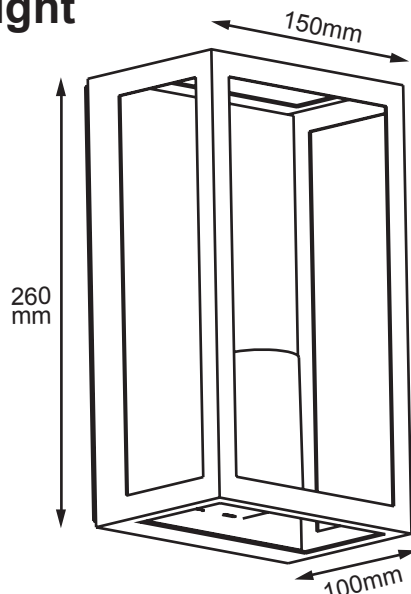
SPECIFICATION

- Rated voltage, frequency: 220-240V AC
- Rated power: E27 Max 60w
- Class I.
- IP Rating: IP44 .
- Product can be used either indoors or outdoors.
- Materials: Iron, Temper Glass
- Black Finish
- Product can be used either indoors or outdoors

MOUNTING

(PLEASE REFER TO MOUNTING DIAGRAM)

- Read the installation manual before mounting.
- The fitting is Class I and must be earthed
- This product should be installed by a qualified electrician.
- Before installation please ensure the power supply is disconnected.
- Product has a protective contact/terminal. Failure to connect the protective lead may lead to electric shock.
- Use correct power leads diameters.
- To maintain the proper IP44 protection level, the right diameter of the power cable should be selected for the cable gland used in the product.



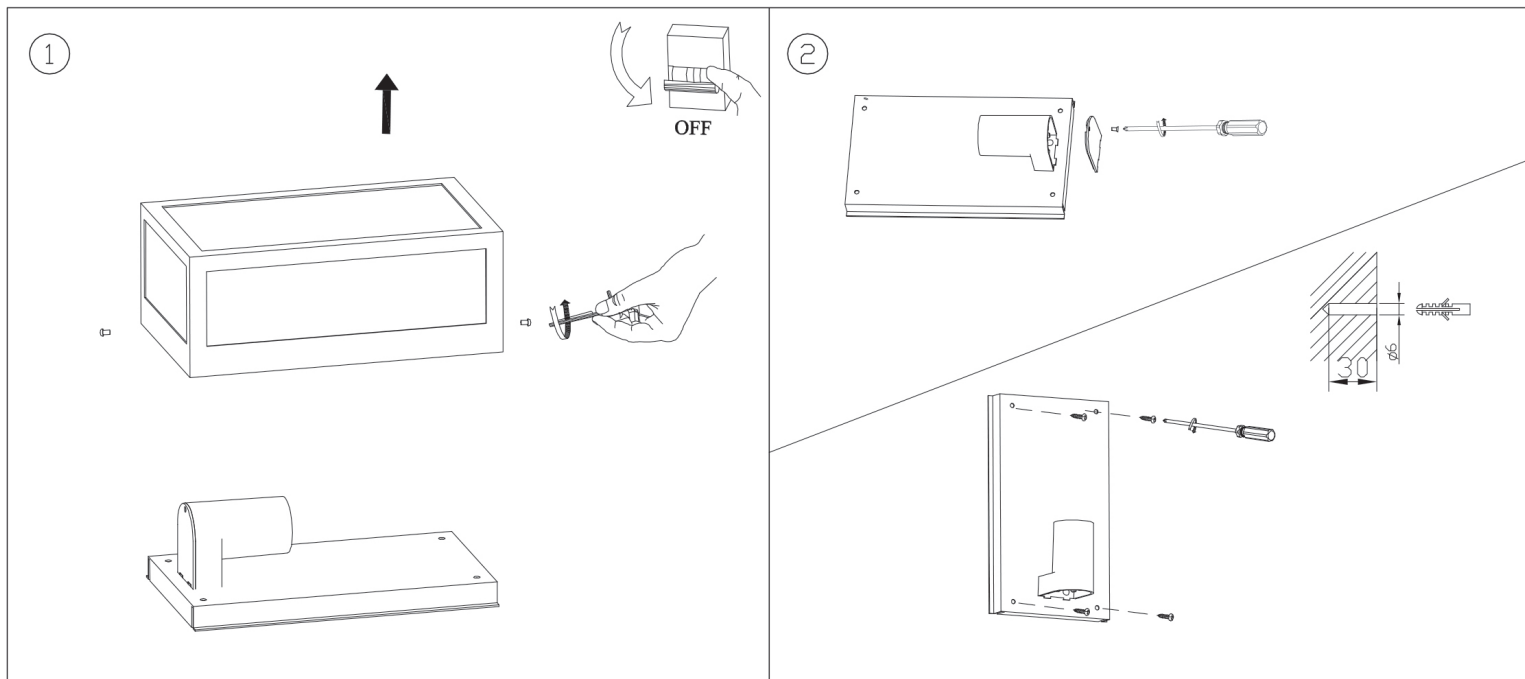
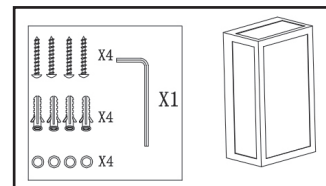
USAGE GUIDELINES / MAINTENANCE

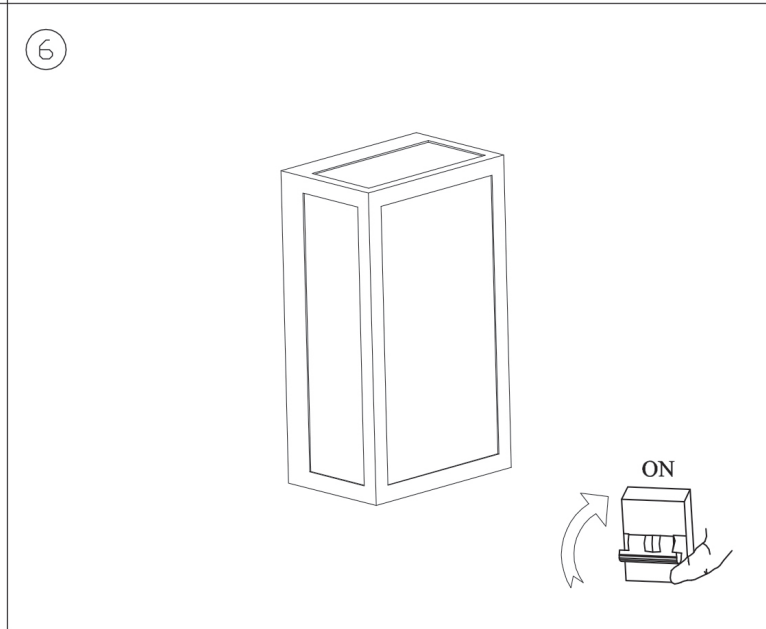
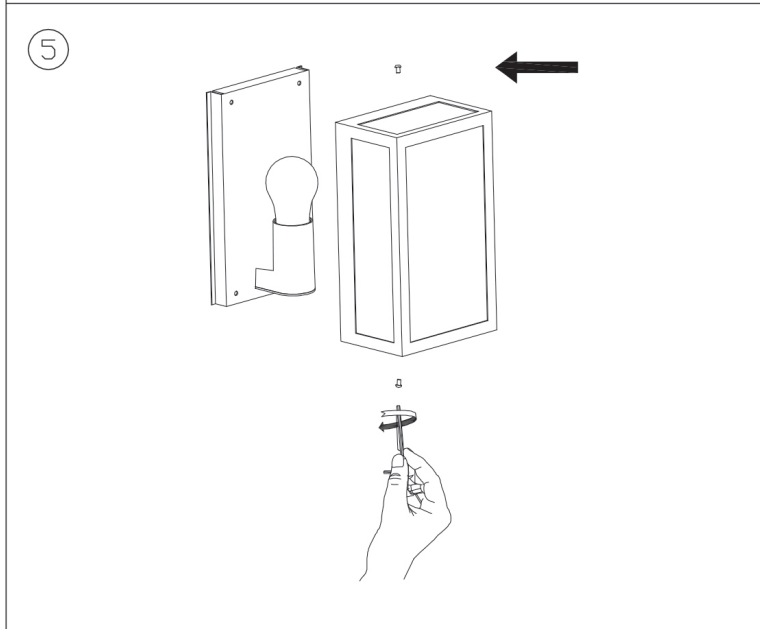
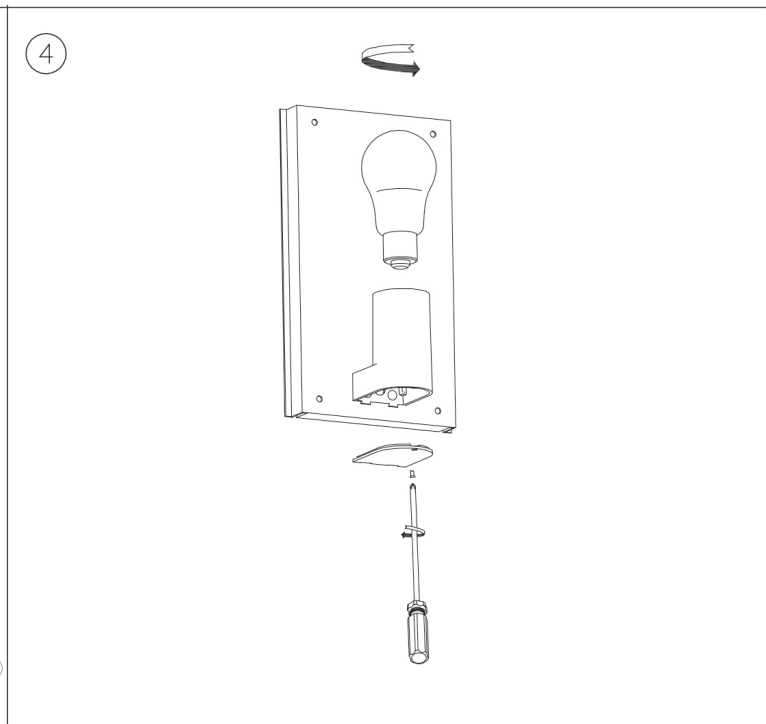
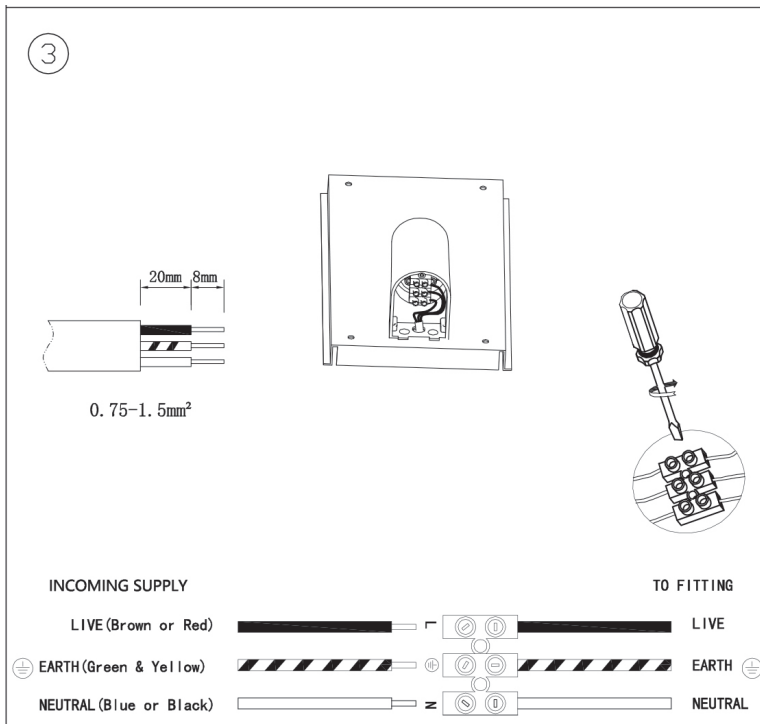
Any maintenance work must be done when the product is disconnected from power supply. Do not cover the product. Product may heat up to a higher temperature. Replacement of light source to be performed after the product cools down. (See diagram). The product must not be used if the protective cover is damaged. The construction of the product offers no resistance to specific conditions, e.g. due to the presence of defrosting substances or salt.

COMMENTS / GUIDELINES

Failure to follow these instructions may result in electrical shock, physical injury and other material and non-material damage. SGD shall not be responsible for any damage resulting from the failure to follow these instructions.

Mounting Diagram





PRODUCT END OF LIFE INSTRUCTION.

This Lighting product is in the scope of EU 2019/2020 directive on Waste Electrical and Electronic Equipment (WEEE). This product must be disposed of according to the legislation. This document is intended for use by end of life recyclers or treatment facilities. It provides the basic information to assure an appropriate end of life treatment for the components and materials of the product. Please follow pictured diagram below showing how to dismantle the product into different components which should be disposed of orrectly. These components consist of plastic, metal and electronic materials. It is the responsibility of the end user to dispose of this product correctly. Contact www.weeeireland.ie or your local council for further information.

For more information contact:

Unit 7/8 Ashbourne Business Centre, Ballybin Road, Ashbourne, Co. Meath, Ireland, A84 YP58,
Phone: 00353 1 835 7447. **Website:** www.sgd.ie



Solas Geal Distribution





EU DECLARATION OF CONFORMITY

Manufacturers Name: Solas Geal Distribution
Unit 7/8 Ashbourne Business Centre, Ballybin Road, Ashbourne, Co. Meath, A84 YP58.

This declaration of conformity is issued under the sole responsibility of the manufacturer.

Product Description:

E27 Wall Light Fitting in Iron Frame with Temper Glass IP44 (Max 60W, Lamp not included)

Model Code:

EWAL UP

The product/model of the declaration described above is in conformity with the relevant Community harmonisation legislation.

Low Voltage Directive (2014/35/EU)

Directive 2009/125/EC

(EU) 2019/2015 Regulation on Energy Labelling for Light Sources.

(EU) 2019/2020 Ecodesign Requirements for Light Sources and Separate Control Gears

The product/model of the declaration described above is in conformity with the standards and technical specifications listed below:

IEC 60598-2-1:2020, IEC 60598-1:2020, EN IEC 60598-1:2021, EN IEC 60598-2-1:2021, EN 62493:2015
EN IEC 55015:2019+A11:2020, EN 61547:2009, EN IEC 61000-3-2:2019+A1:2021,
EN 61000-3-3:2013+A1:2019+A2:2021,



Signed:

Date: 27/11/24

Place of Issue: Republic of Ireland

