



Installation

Product Code: EWAL UP-PIR Vintage PIR Framed Wall Light

SPECIFICATION

- With PIR Sensor
- Rated voltage, frequency: 220-240V AC
- Rated power: E27 Max 60w
- Class I.
- IP Rating: IP44
- Product can be used either indoors or outdoors.
- Materials: Iron, Temper Glass
- Black Finish
- Product can be used either indoors or outdoors

MOUNTING - (PLEASE REFER TO MOUNTING DIAGRAM)

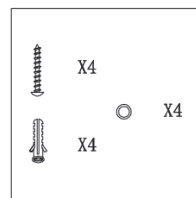
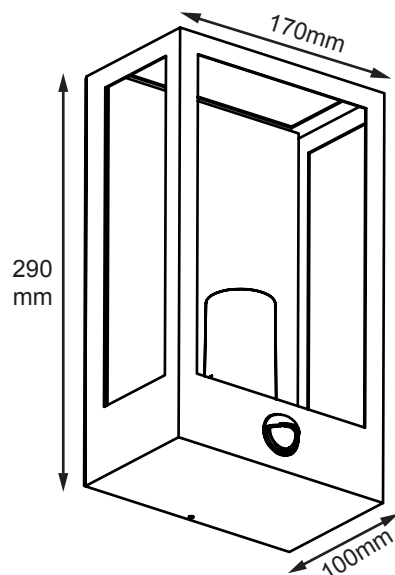
- Read the installation manual before mounting.
- This product should be installed by a qualified electrician.
- Before installation please ensure the power supply is disconnected.
- Product has a protective contact/terminal. Failure to connect the protective lead may lead to electric shock.
- To maintain the proper IP protection level, the correct diameter of the power cable should be selected for the cable gland used in the product.

USAGE GUIDELINES / MAINTENANCE

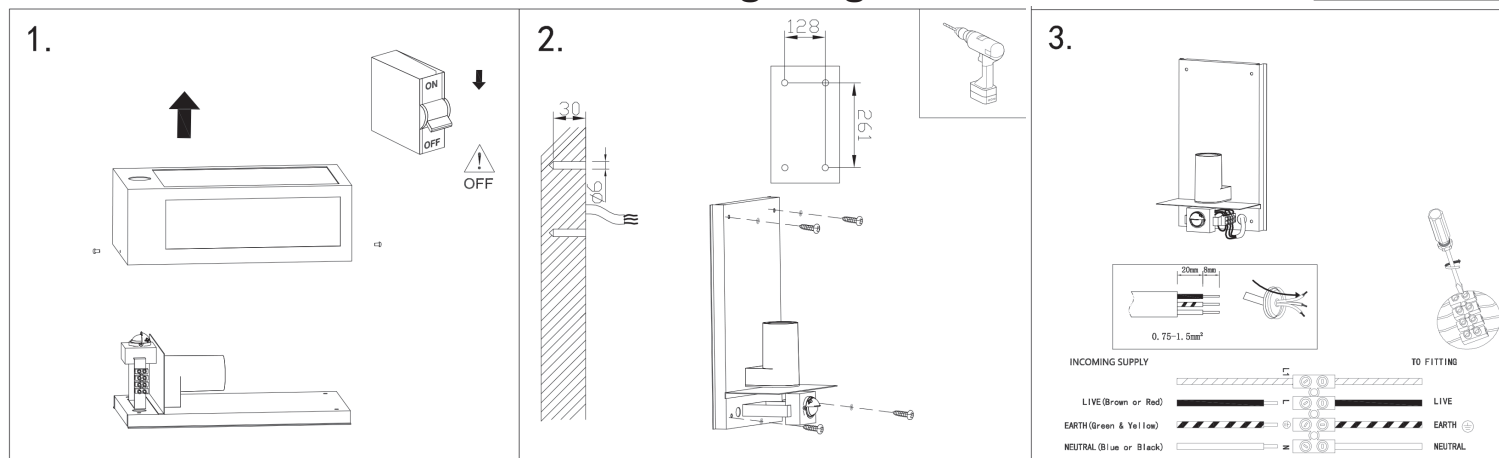
Any maintenance work must be done when the product is disconnected from power supply. Do not cover the product. As product may heat up to a high temperature, replacement of light source must be performed after the product cools down. The product must not be used if the protective cover is damaged. To clean, wipe with a soft damp cloth.

COMMENTS / GUIDELINES

Failure to follow these instructions may result in electrical shock, physical injury and other material and non-material damage. SGD shall not be responsible for any damage resulting from the failure to follow these instructions.



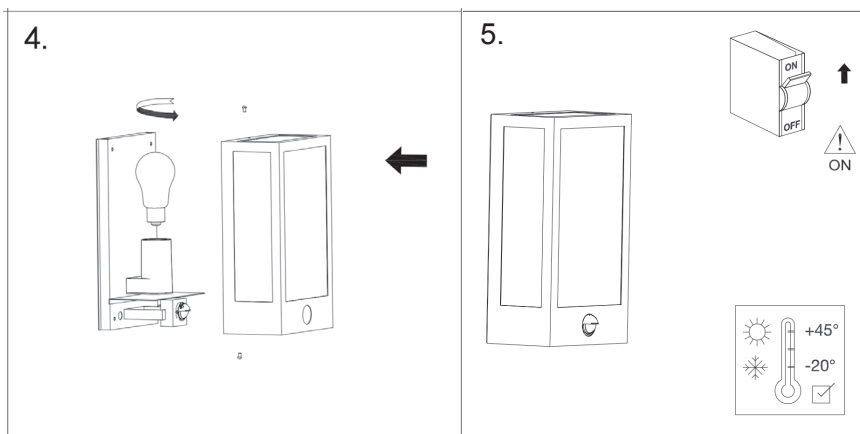
Mounting Diagram



INSTALLATION INSTRUCTIONS - FOLLOW DIAGRAM

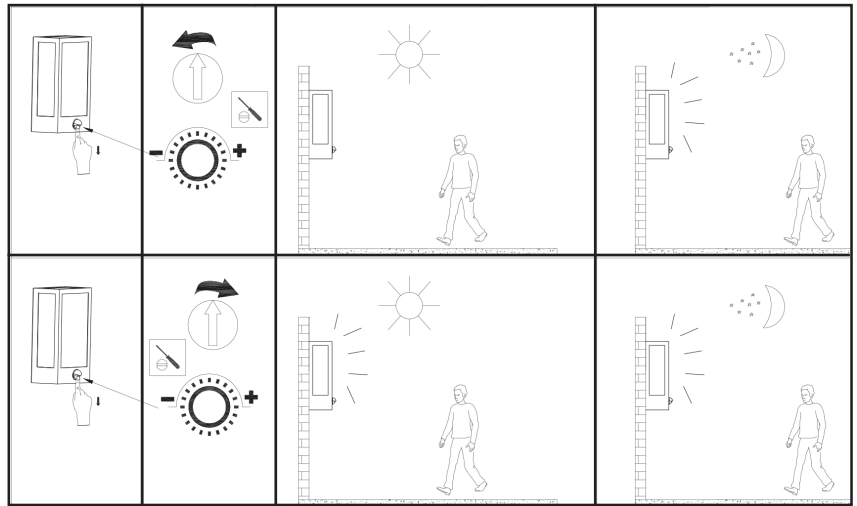
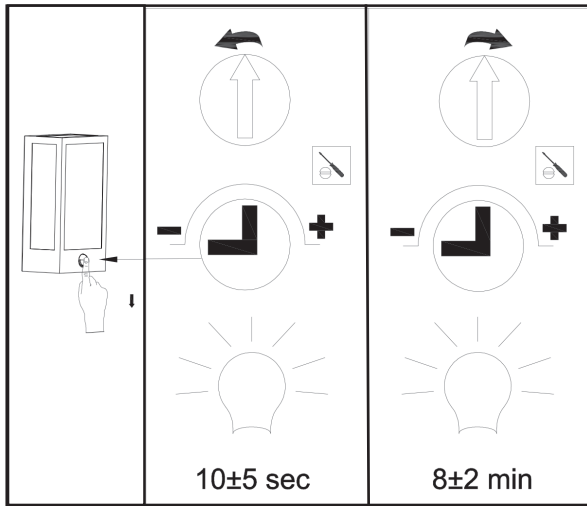
Plan location, ensuring cables will reach distance between junction box and light fitting. Mount 1-3 meters above the ground, in a vertical position for optimal PIR sensor settings (see overleaf).

1. Turn off Mains/Power supply.
2. Remove the fixing bracket to expose the baseplate
3. Mark position of mounting holes using fixing bracket and drill them. Use appropriate fixings
4. Screw fixing bracket to wall using supplied fixings. Ensure that the wall can support the weight of the fitting
5. Insert supply cable through the grommet supplied in the baseplate. Then thread cable through hole.
6. Connect the Live (brown), Earth (green/yellow) and Neutral (blue) cables into the connector, to the existing corresponding cables already connected from the light. Ensure a good connection is made.
6. Ensure the rubber seal is seated correctly on the baseplate. Replace mounting box cover and lampholders
7. Re-fit light fitting to the baseplate followed by the serrated washer and nut onto each bolt. Tighten to ensure a good seal.
8. Insert appropriate lamp into E27 base (E27 Max 60w)
10. Replace the frame and screw in place
11. Turn on power supply.



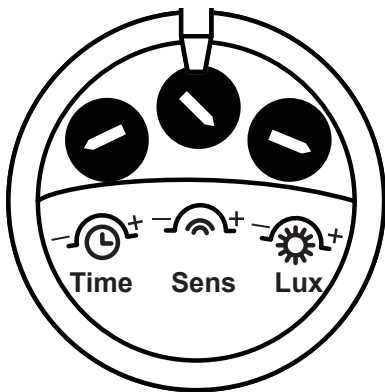
Overleaf please read instructions on how to adjust PIR settings for optimal use.

PIR Sensor Settings

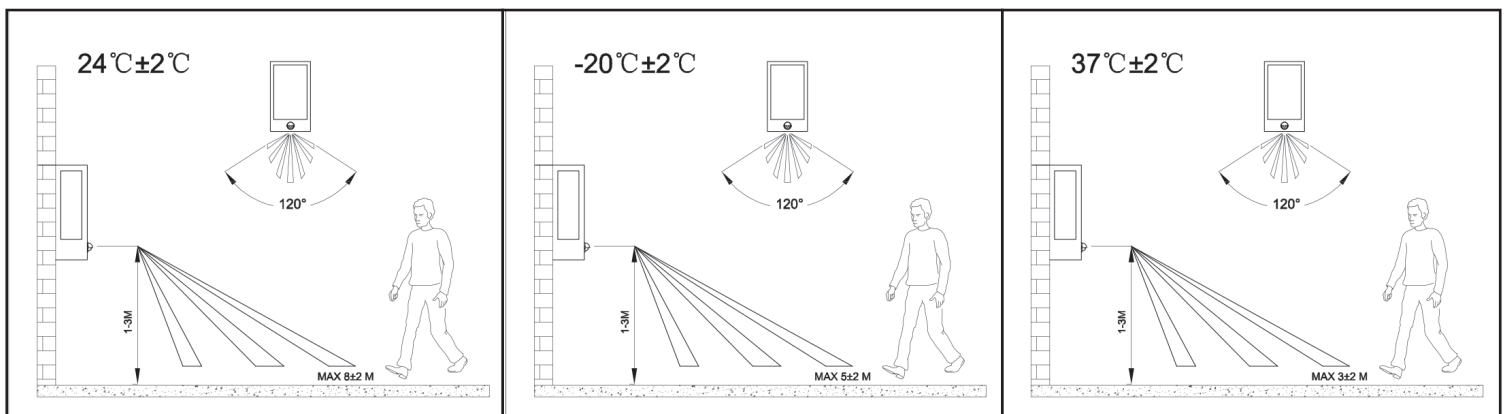


PIR SENSOR SETUP

1. Install the fitting at a height of 1-3 meters above the ground, in a vertical position.
Detection angle is: 120°
2. Under the lamp, open the PIR black cover in order to access the adjustable settings.
3. Use a screw driver to turn the TIME, SENS or LUX screws on the PIR Sensor.
4. The detection range can be adjusted by turning the SENS screw.
Detection distance is: 8 meters plus or minus 2 meters (adjustable) (<24°)
5. The duration that the lamp stays on is adjustable by turning the TIME Screw
Delay time: 10 seconds to 8 minutes (adjustable)
6. Starting illuminance: 2 LUX - 2000LUX. This is adjustable by turning the LUX Screw.
7. When adjusting in daylight, it will be necessary to cover the sensor to simulate night time.
8. Flip down the black cover when finished adjustments.
9. This PIR sensor does not have manual override function



PIR Sensor Setting Control Panel



PRODUCT END OF LIFE INSTRUCTION.

This Lighting product is in the scope of EU 2019/2020 directive on Waste Electrical and Electronic Equipment (WEEE). This product must be disposed of according to the legislation. This document is intended for use by end of life recyclers or treatment facilities. It provides the basic information to assure an appropriate end of life treatment for the components and materials of the product. These components consist of plastic, metal and electronic materials. It is the responsibility of the end user to dispose of this product correctly.

Contact www.weeeireland.ie or your local council for further information.

For more information contact:

Unit 7/8 Ashbourne Business Centre, Ballybin Road, Ashbourne, Co. Meath, Ireland, A84 YP58,

Phone: 00353 1 835 7447. **Website:** www.sgd.ie



Solas Geal Distribution





EU DECLARATION OF CONFORMITY

Manufacturers Name: Solas Geal Distribution
Unit 7/8 Ashbourne Business Centre, Ballybin Road, Ashbourne, Co. Meath, A84 YP58.

This declaration of conformity is issued under the sole responsibility of the manufacturer.

Product Description:

E27 Wall Light Fitting in Iron Frame with Temper Glass IP44 (Max 60W, Lamp not included), including PIR Sensor

Model Code:

EWAL UP-PIR

The product/model of the declaration described above is in conformity with the relevant Community harmonisation legislation.

Low Voltage Directive (2014/35/EU)

Directive 2009/125/EC

(EU) 2019/2015 Regulation on Energy Labelling for Light Sources.

(EU) 2019/2020 Ecodesign Requirements for Light Sources and Separate Control Gears

The product/model of the declaration described above is in conformity with the standards and technical specifications listed below:

IEC 60598-2-1:2020, IEC 60598-1:2020, EN IEC 60598-1:2021, EN IEC 60598-2-1:2021, EN 62493:2015
EN IEC 55015:2019+A11:2020, EN 61547:2009, EN IEC 61000-3-2:2019+A1:2021,
EN 61000-3-3:2013+A1:2019+A2:2021,



Signed:

Date: 27/11/24

Place of Issue: Republic of Ireland

