

# Product Information Sheet

COMMISSION DELEGATED REGULATION (EU) 2019/2015 with regard to energy labelling of light sources

**Supplier's name or trade mark:** Eclipse

**Supplier's address:** SGD Limited, Unit 7/8 Ashbourne Business Centre, Ballybin Road, Ashbourne, Co. Meath. A84 YP58. Ireland.

**Model identifier:** ESLIM

## Type of light source:

Lighting technology used:	LED	Non-directional or directional:	DLS
Light source cap-type (or other electric interface)	SMD LED		
Mains or non-mains:	NMLS	Connected light source (CLS):	No
Colour-tuneable light source:	No	Envelope:	-
High luminance light source:	No		
Anti-glare shield:	No	Dimmable:	No

## Product parameters

Parameter	Value	Parameter	Value
-----------	-------	-----------	-------

### General product parameters:

Energy consumption in on-mode (kWh/1000 h), rounded up to the nearest integer	6	Energy efficiency class	F
Useful luminous flux ( $\phi_{use}$ ), indicating if it refers to the flux in a sphere (360°), in a wide cone (120°) or in a narrow cone (90°)	520 in Wide cone (120°)	Correlated colour temperature, rounded to the nearest 100 K, or the range of correlated colour temperatures, rounded to the nearest 100 K, that can be set	3 000 or 4 000 or 5 000
On-mode power ( $P_{on}$ ), expressed in W	6,0	Standby power ( $P_{sb}$ ), expressed in W and rounded to the second decimal	-
Networked standby power ( $P_{net}$ ) for CLS, expressed in W and rounded to the second decimal	-	Colour rendering index, rounded to the nearest integer, or the range of CRI-values that can be set	80
Outer dimensions without separate control gear, light-	Height	120	Spectral power distribution in the range 250 nm to 800 nm, at full-load
	Width	120	
	Depth	45	
			See image in last page

ing control parts and non-lighting control parts, if any (millimetre)			
Claim of equivalent power <sup>(a)</sup>	-	If yes, equivalent power (W)	-
		Chromaticity coordinates (x and y)	0,380 0,380
<b>Parameters for directional light sources:</b>			
Peak luminous intensity (cd)	270	Beam angle in degrees, or the range of beam angles that can be set	102
<b>Parameters for LED and OLED light sources:</b>			
R9 colour rendering index value	1	Survival factor	0,90
the lumen maintenance factor	0,96		

(a)<sup>1)</sup> : not applicable;

(b)<sup>1)</sup> : not applicable;



# Installation

Product Code: **ESLIM**

## 6w Aluminium LED CCT Wall Light

### MOUNTING

- Read the installation manual before mounting.
- This product should be installed by a qualified electrician.
- Before installation please ensure the power supply is disconnected.
- Exercise particular caution.
- Mounting diagram: see pictures on back page.
- Check for proper mechanical fastening and connection to electrical power prior to first use.
- The end parts of the leads must be isolated at the right length. If the wire ends are galvanized: cut off the galvanized wire ends, remove the wire insulation at the length of 8 mm, fix the wire in the terminal block.
- To maintain the proper IP protection level, the right diameter of the power cable should be selected for the cable gland used in the product.

### FUNCTIONAL CHARACTERISTICS

Product can be used either indoors or outdoors.

### USAGE GUIDELINES / MAINTENANCE

Any maintenance work must be performed when the power supply is cut off and the product has cooled down. Clean only with soft and dry cloths.

Do not use chemical detergents. Do not cover the product. Ensure free air access. Product may heat up to a higher temperature. Product with non-replaceable light source of the LED type. Product cannot be fixed if the light source becomes damaged.

### ATTENTION!

Do not look directly at LED light beam.

Product can only be supplied by rated voltage or voltage within the range provided. Do not use the product with damaged protective cover.

Product must not be used in unfavourable conditions, e.g. dust, water, moisture, vibrations, explosive air atmosphere, fumes, or chemical fumes, etc. If the light source is damaged replace the entire Led Wall Light.

### SPECIFICATION

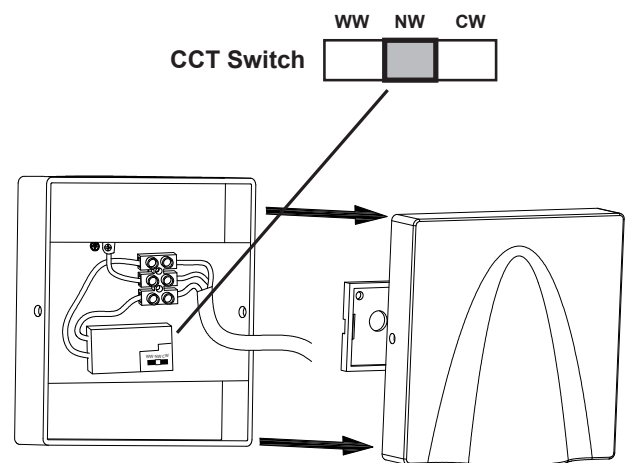
- Rated voltage, frequency: 100-240V AC, SMD
- CCT: 3000K, 4000K, 5000K
- Rated power: 2 x 6w
- Lumen: 520Lm
- CRI≥80
- Class I.
- Beam angle 150°
- IP Rating: IP54
- CCT: 3000K, 4000K, 5000K
- Product can be used either indoors or outdoors.
- Colour: Grey

### ENVIRONMENTAL PROTECTION

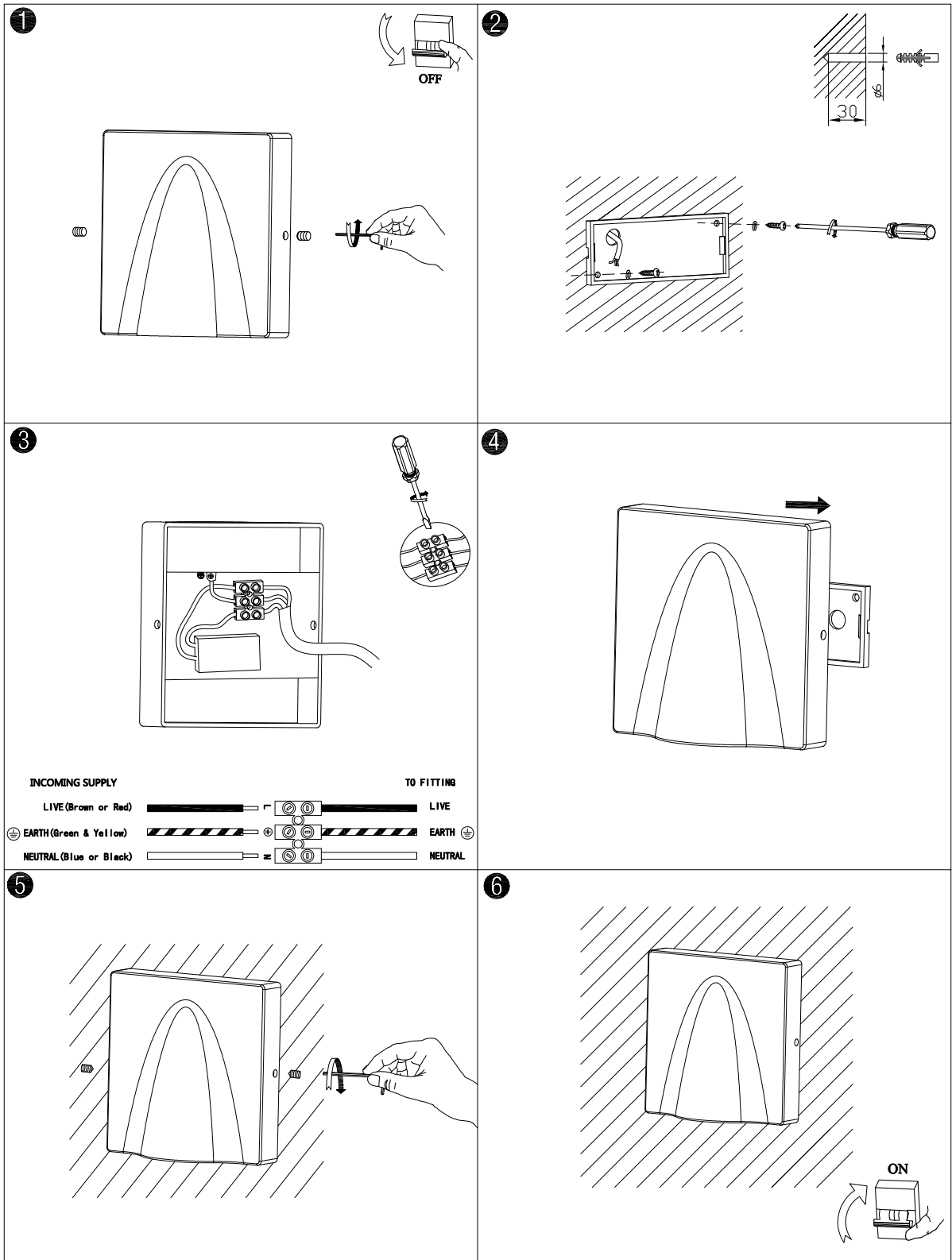
Segregation of post-packaging waste is recommended.

### COMMENTS / GUIDELINES

Failure to follow these instructions may result in e.g. electrical shock, physical injury and other material and non-material damage. SGD shall not be responsible for any damage resulting from the failure to follow these instructions.



# Mounting Diagram



## PRODUCT END OF LIFE INSTRUCTION.

This Lighting product is in the scope of EU 2019/2020 directive on Waste Electrical and Electronic Equipment (WEEE). This product must be disposed of according to the legislation. This document is intended for use by end of life recyclers or treatment facilities. It provides the basic information to assure an appropriate end of life treatment for the components and materials of the product. Please follow pictured diagram showing how to dismantle the product into different components which should be disposed of correctly. These components consist of plastic, metal and electronic materials. It is the responsibility of the end user to dispose of this product correctly. [www.weeeireland.ie](http://www.weeeireland.ie) or contact your local council for further information.

**Non Replaceable Light Source**



For more information contact:

Unit 7/8 Ashbourne Business Centre, Ballybin Road, Ashbourne, Co. Meath, Ireland,  
A84 YP58

Phone: 00353 1 835 7447 Website: [www.sgd.ie](http://www.sgd.ie)



Solas Geal Distribution

# Lightsource Test Report

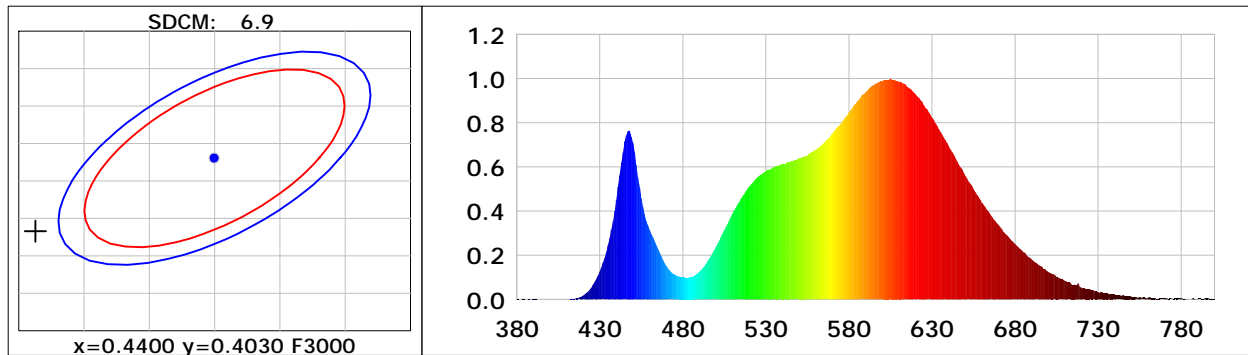
## Product Information

Product Category: ESLIM

Product Number: 980

## CIE Colorimetric Parameters

Chromaticity coordinates:  $x=0.4263$   $y=0.3933$   $u(u')=0.2483$   $v=0.3436$   $v'=0.5154$   
CCT:  $T_c=3098K$  ( $duv=-0.00286$ ) Color Ratio:  $R=0.226$   $G=0.755$   $B=0.019$   
Peak Wavelength: 605.1nm Half Bandwidth: 136.1nm  
Dominant Wavelength: 583.5nm Color Purity: 0.460  
CRI:  $R_a=81.6$  TM30:  $R_f=80$ ,  $R_g=101$   
GAI:  $GAI\_BB\_8=104.6$ ,  $GAI\_BB\_15=109.6$ ,  $GAI\_EES=62.8$   
R1 =81 R2 =88 R3 =92 R4 =82 R5 =81 R6 =84 R7 =83 R8 =62  
R9 =9 R10=70 R11=82 R12=63 R13=83 R14=95 R15=75  
Color Quality Scale:  $Q_a=79.6$ ,  $Q_f=79.3$ ,  $Q_p=84.1$ ,  $Q_g=96.6$   
Q1 =76 Q2 =97 Q3 =75 Q4 =76 Q5 =80 Q6 =78 Q7 =77 Q8 =84  
Q9 =96 Q10=84 Q11=82 Q12=81 Q13=82 Q14=72 Q15=73



## Photometric Parameters

Luminous Flux: 1368.49 lm Efficiency: 64.58 lm/W Radiant Power: 4.090 W  
Total mains efficacy: 64.58 lm/W Energy Efficiency Class: G (EU 2019/2015)

## Electric Parameters

Voltage: 230.30V Current: 0.0990A Power: 21.19W  
Power Factor: 0.9310 Frequency: 49.99Hz

## Test Information

Scan Range: 380~800:1nm  
Stabilization Time: 0 Sec ALC.: 1.0000  
Max of Signal: 47440 (2126)

Photometric Method: sphere-spectroradiometer  
Photometric Condition: Sphere diameter: 1.50m, 4T  
CCD Integration Time: 988.37 ms

Condition:  $T_x:19.1^\circ C$ ,  $T_i:17.0^\circ C$ , R.H.:60%  
Test Lab: SGD LIMITED  
Operator: SGD LIMITED

Test Device: CMS-2S (Plus)  
Test Time: 2022-03-07 13:23:40  
Inspector: SGD LIMITED



## EU DECLARATION OF CONFORMITY

**Manufacturers Name:** Solas Geal Distribution  
Unit 7/8 Ashbourne Business Centre, Ballybin Road, Ashbourne, Co. Meath, A84 YP58.

**Declaration Number:**  
107-SLIM-UP/DN,107-ESLIM,107-ECAVE

This declaration of conformity is issued under the sole responsibility of the manufacturer.

**Products:**  
LED 6W Aluminium Class 1 Wall lights IP54 4000K

**Model Number:**  
SLIM-UP/DN, ESLIM, ECAVE

The product/model of the declaration described above is in conformity with the relevant  
Community harmonisation legislation:

**Low Voltage Directive (2014/35/EU)**  
**EMC (2014/30/EU)**

The product/model of the declaration described above is in conformity with the standards  
and technical specifications listed below:

EN55015:2013+A1, EN61547:2009, EN61000-3-3:2013, EN61000-3-2:2014,  
EN55015:2013+A1, EN61547:2009, EN61000-3-3:2013, EN61000-3-2:2014, EN60598-  
1:2015+A1:2018, EN60598-2-1:1989, EN62471:2008, EN62493:2015.



ECAVE



ESLIM



SLIM UP/DN

*Signed:*

*Date:* 15/01/2025

*Place of Issue:* Republic of Ireland

