



Installation Instructions Outdoor Switch IP66



PRODUCT CODE: EODBELL, EOD2G2W, EOD1G2W

WARNING

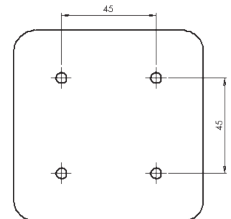
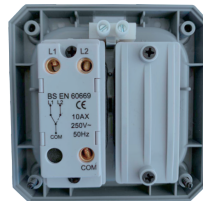
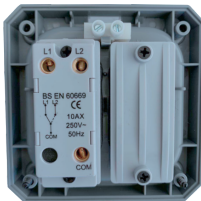
**SWITCH OFF AND ISOLATE THE MAINS SUPPLY BEFORE CARRYING OUT INSTALLATION OF THE PRODUCT
THIS PRODUCT MUST BE INSTALLED BY A QUALIFIED ELECTRICIAN**

- Please read all the instructions before starting the installation. This product must be installed in accordance with the appropriate building & wiring regulations.
- Before starting any electrical work always ensure that the mains supply is switched off, or isolated from the area in which you are working.
- It is a requirement that any electrical installation for "Mains" supply in the garden must be protected by an RCD (Residual Current Device) with a trip current not greater than 30mA.
- Ensure that the mounting surface is flat and free from loose particles. Avoid fitting in areas of direct sunlight for any length of time.
- Unscrew the four screws holding on the front cover assembly. Fig 1.
- Take the back box and drill a small hole through the drainage point that will be at the lowest point when mounted.
- This is necessary to ensure that any residual moisture or condensation has an escape route at the back of the box.
- The fixing centres for mounting the box are shown in Fig 2. Use a suitable drill / wall plug for the surface on which you are mounting your Easy Seal enclosure and use No.8 countersunk screws (not supplied) to secure the back box through the 4 corner holes.
- Remove one of the cable entry covers by pushing through from the inside of the back box. If circumstances permit, the best entry point for the supply cable is one on the underside.
- Cable entry can be made via conduit & fittings.
- Use only mains cable of sufficient rating for your application.
- The neon indicator can be used to illuminate the switch in a number of ways depending on wiring, & the presence of a neutral supply. See Fig 3.
- Connect wires to the correct terminals and ensure all are screwed tight. Ensure all wires are not overly stretched or pinched.
- Re-secure the front cover assembly with the four screws and fit the plastic cap covers.

EXPLODED VIEW

FIXING CENTRES / BACKBOX DIMENSIONS:

1 GANG
SWITCH ONLY



2 GANG
SWITCH ONLY



ALL DIMENSIONS
IN MM

Fig 1

Fig 2

NEON USE OPTIONS

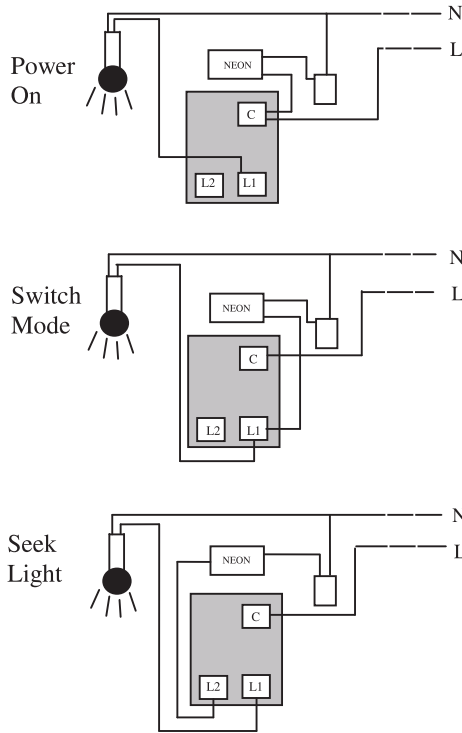


Fig 3

DISCLAIMER

This product is designed for domestic and light commercial use only. It must be installed in accordance with the fitting instructions. It should be fixed in the approved and conventional way to a solid or suitably stable surface. The equipment should be connected to mains supply of the appropriate voltage (indicated on the product). No liability can be accepted if this product is installed or used in any other way.

CAUTION

Do not use chemical agents or solvents on this product



For more information contact:



Solas Geal Distribution

Unit 7/8 Ashbourne Business Centre, Ballybin Road, Ashbourne, Co. Meath, Ireland, A84 YP58, **Phone:** 00353 1 835 7447

Unit 32 Junction One Business Park, Valley Road, Birkenhead, Merseyside, UK, CH41 7ED, **UK Ph:** 0330 551 7000

Website: www.sgd.ie



EU DECLARATION OF CONFORMITY

Manufacturers Name: Solas Geal Distribution
Unit 7/8 Ashbourne Business Centre, Ballybin Road, Ashbourne, Co. Meath, A84 YP58.

Declaration Number:

002-EOD1G2W, 002-EOD2G2W, 002-EOD BELL

This declaration of conformity is issued under the sole responsibility of the manufacturer.

Products:

NO1: 1 Gang 2-way outdoor ip66 Switch NO2: 2 Gang 2-way outdoor IP66 Switch NO3: Bell
push IP66

Model Number:

No 1: EOD1G2W & No 2: EOD2G2W & No 3: EODBELL

The product/model of the declaration described above is in conformity with the relevant
Community harmonisation legislation:

Low Voltage Directive (2014/35/EU)

The product/model of the declaration described above is in conformity with the standards
and technical specifications listed below:

EN60669-1:1999+A1:2002+A2:2008, EN60669-1:2018,
EN 60529:1989+A1:1999+A2:2013, EN60529:1992+A2:2013.



NO 1



NO 2



NO 3

Signed:

Date:

Place of Issue: Republic of Ireland

