

Product Information Sheet

COMMISSION DELEGATED REGULATION (EU) 2019/2015 with regard to energy labelling of light sources

Supplier's name or trade mark: Eclipse

Supplier's address: SGD Limited, Unit 7/8 Ashbourne Business Centre, Ballybin Road, Ashbourne, Co. Meath. A84 YP58. Ireland.

Model identifier: ECUBE

Type of light source:

Lighting technology used:	LED	Non-directional or directional:	NDLS
Light source cap-type (or other electric interface)	SMD LED		
Mains or non-mains:	NMLS	Connected light source (CLS):	No
Colour-tuneable light source:	No	Envelope:	-
High luminance light source:	No		
Anti-glare shield:	No	Dimmable:	No

Product parameters

Parameter	Value	Parameter	Value
-----------	-------	-----------	-------

General product parameters:

Energy consumption in on-mode (kWh/1000 h), rounded up to the nearest integer	9	Energy efficiency class	E
Useful luminous flux (ϕ_{use}), indicating if it refers to the flux in a sphere (360°), in a wide cone (120°) or in a narrow cone (90°)	1 080 in Sphere (360°)	Correlated colour temperature, rounded to the nearest 100 K, or the range of correlated colour temperatures, rounded to the nearest 100 K, that can be set	4 000
On-mode power (P_{on}), expressed in W	9,0	Standby power (P_{sb}), expressed in W and rounded to the second decimal	-
Networked standby power (P_{net}) for CLS, expressed in W and rounded to the second decimal	-	Colour rendering index, rounded to the nearest integer, or the range of CRI-values that can be set	80
Outer dimensions without separate control gear, light-	Height	2	Spectral power distribution in the range 250 nm to 800 nm, at full-load
	Width	14	
	Depth	14	
			See image in last page

ing control parts and non-lighting control parts, if any (millimetre)			
Claim of equivalent power ^(a)	-	If yes, equivalent power (W)	-
		Chromaticity coordinates (x and y)	0,380 0,380
Parameters for LED and OLED light sources:			
R9 colour rendering index value	1	Survival factor	0,90
the lumen maintenance factor	0,96		

(a) : not applicable;

(b) : not applicable;



Installation Instructions

5W LED UP/DN WALL LIGHT

PRODUCT CODE: ECUBE



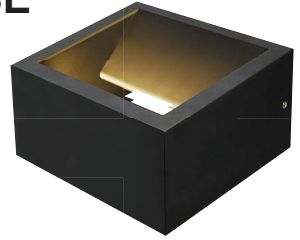
IMPORTANT

Please read instructions carefully.

This product should only be installed by a qualified electrician

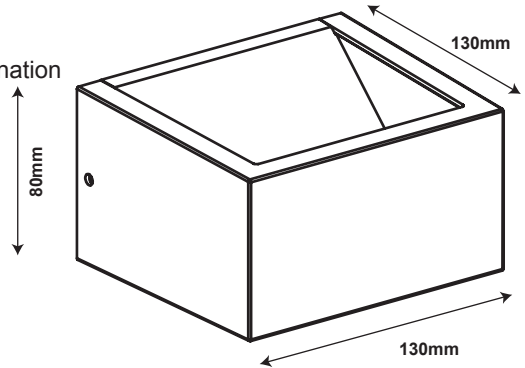
If housing or light is damaged, please discard

Please retain these instructions for future reference

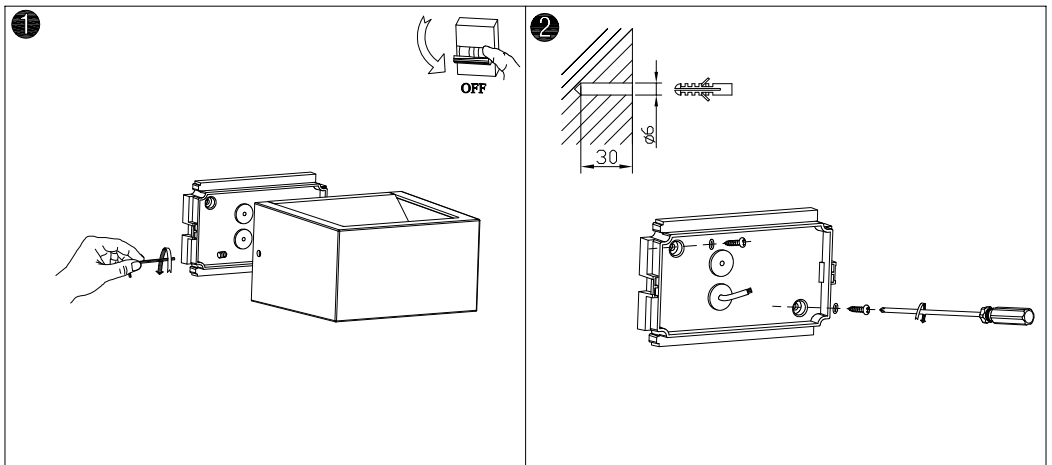
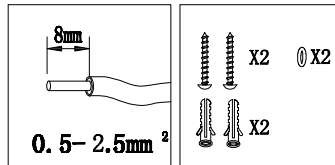


FEATURES

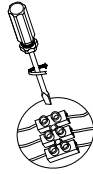
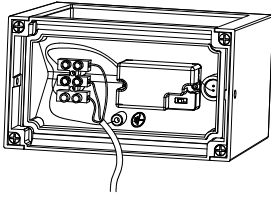
- Easy surface mounted installation
- Glare free vertical lighting effect
- High output LED chip provides maximum illumination
- Aluminium Housing
- Power: 5w Max COB
- 100-230V AC ~ 50Hz
- IP54 Rating
- Beam Angle: 120°
- Colour Temp: Slate Grey
- Temp: 4000k
- Lumen: 400Lm Max
- Beam angle 120°
- Class 1



ASSEMBLY / DISASSEMBLY DIAGRAM



3

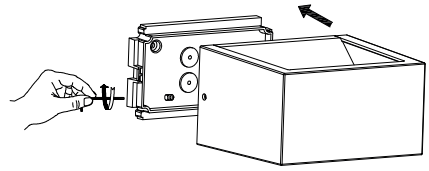


INCOMING SUPPLY

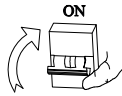
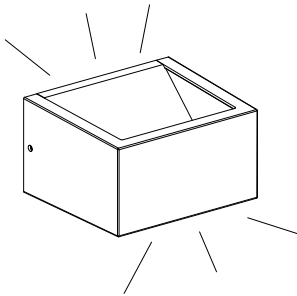
TO FITTING



4



5



Product end of life instruction.

This Lighting product is in the scope of EU 2019/2020 directive on Waste Electrical and Electronic Equipment (WEEE). This product must be disposed according to the legislation. This document is intended for use by end of life recyclers or treatment facilities. It provides the basic information to assure an appropriate end of life treatment for the components and materials of the product. Please follow pictured diagram on the back of this manual showing how to dismantle the product into different components which should be disposed correctly. These components would consist of plastic, metal and electronic materials. It is the responsibility of the end user to dispose of this product correctly. www.weeireland.ie or contact your local council for further information.



For more information contact:

Unit 7/8 Ashbourne Business Centre, Ballybin Road, Ashbourne, Co. Meath, Ireland, A84 YP58,
Phone: 00353 1 835 7447



Solas Geal Distribution

Unit 32 Junction One Business Park, Valley Road, Birkenhead, Merseyside, UK, CH41 7ED,
UK Ph: 0330 551 7000

Website: www.sgd.ie

Lightsource Test Report

Product Information

Product Type: ECUBE

Product Number: 1

CIE Colorimetric Parameters

Chromaticity coordinates: $x=0.3824$ $y=0.3790$ $u(u')=0.2255$ $v=0.3352$ $v'(v)=0.5029$

CCT: $T_c=3964K$ ($duv=0.00049$)

Color Ratio: $R=0.183$ $G=0.781$ $B=0.036$

Peak Wavelength: 593.1nm

Half Bandwidth: 146.8nm

Dominant Wavelength: 578.9nm

Color Purity: 0.285

CRI: $R_a=82.4$

TM30: $R_f=84$, $R_g=96$

GAI: $GAI_BB_8=91.8$, $GAI_BB_15=97.7$, $GAI_EES=71.9$

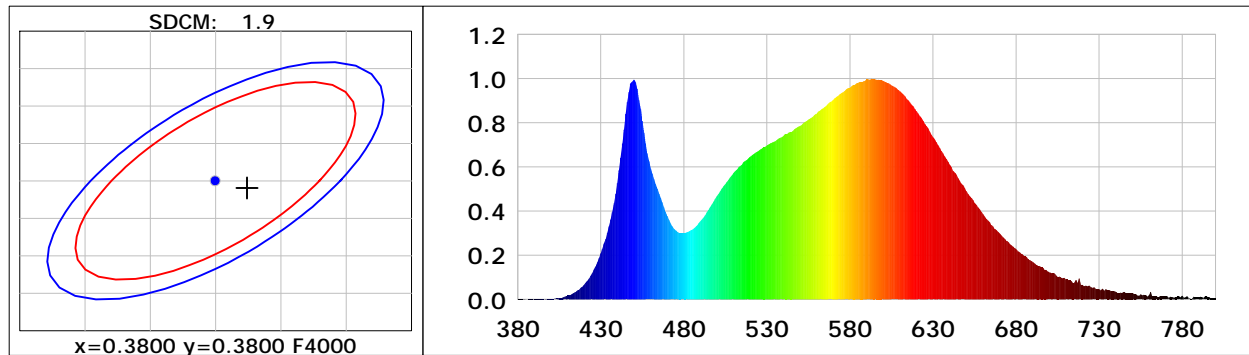
$R1=80$ $R2=89$ $R3=95$ $R4=82$ $R5=81$ $R6=85$ $R7=85$ $R8=63$

$R9=4$ $R10=73$ $R11=80$ $R12=65$ $R13=82$ $R14=97$ $R15=74$

Color Quality Scale: $Q_a=82.4$, $Q_f=82.7$, $Q_p=82.2$, $Q_g=92.4$

$Q1=81$ $Q2=98$ $Q3=80$ $Q4=77$ $Q5=82$ $Q6=83$ $Q7=85$ $Q8=89$

$Q9=98$ $Q10=88$ $Q11=85$ $Q12=83$ $Q13=83$ $Q14=71$ $Q15=75$



Photometric Parameters

Luminous Flux: 1002.09 lm

Efficiency: 124.22 lm/W

Radiant Power: 3.032 W

Total mains efficacy: 124.22 lm/W Energy Efficiency Class: E (EU 2019/2015)

Electric Parameters

Voltage: 26.890V

Current: 0.3000A

Power: 8.07W

Power Factor: 1.0000

Frequency: 0.00Hz

Test Information

Scan Range: 380~800:1nm

Stabilization Time: 20 Min ALC.: 1.0000

Max of Signal: 45561 (2315)

Photometric Method: sphere-spectroradiometer

Photometric Condition: Sphere diameter: 1.50m, 4T

CCD Integration Time: 1337.39 ms

Condition: Tx:19.9°C, Ti:18.5°C, R.H.:60%

Test Lab:

Operator: SGD LIMITED

Test Device: CMS-2S (Plus)

Test Time: 2022-03-24 14:55:11

Inspector: SGD LIMITED



EU DECLARATION OF CONFORMITY

Manufacturers Name: Solas Geal Distribution
Unit 7/8 Ashbourne Business Centre, Ballybin Road, Ashbourne, Co. Meath, A84 YP58.

Declaration Number:
0027 – ECUBE

This declaration of conformity is issued under the sole responsibility of the manufacturer.

Products:
LED UP/DN Wall Light

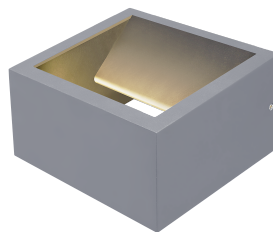
Model Number:
ECUBE

The product/model of the declaration described above is in conformity with the relevant community harmonisation legislation:

Directive 2014/35/EU – Low Voltage Directive

The product/model of the declaration described above is in conformity with the standards and technical specifications listed below:

EN 60598-1:2015+A1:2018, EN IEC 60598-2-1:2021
EN IEC 62031:2020, EN 62493:2015



Signed:

Date:

Place of Issue: Republic of Ireland

