



# Installation

## Product Code: **EBL-UP/DN, ECH-UP/DN** **GU10 Aluminium UP/Down Wall Light**

### SPECIFICATION

- Rated voltage, frequency: 100-240V AC
- Rated power: GU10 Max 2 x 35w
- Class I.
- IP Rating: IP44 .
- Product can be used either indoors or outdoors.
- Black or Stainless Steel Finish
- Product can be used either indoors or outdoors

### MOUNTING

#### (PLEASE REFER TO MOUNTING DIAGRAM)

- Read the installation manual before mounting.
- This product should be installed by a qualified electrician.
- Before installation please ensure the power supply is disconnected.
- Product has a protective contact/terminal. Failure to connect the protective lead may lead to electric shock.
- Use correct power leads diameters.
- To maintain the proper IP protection level, the right diameter of the power cable should be selected for the cable gland used in the product.

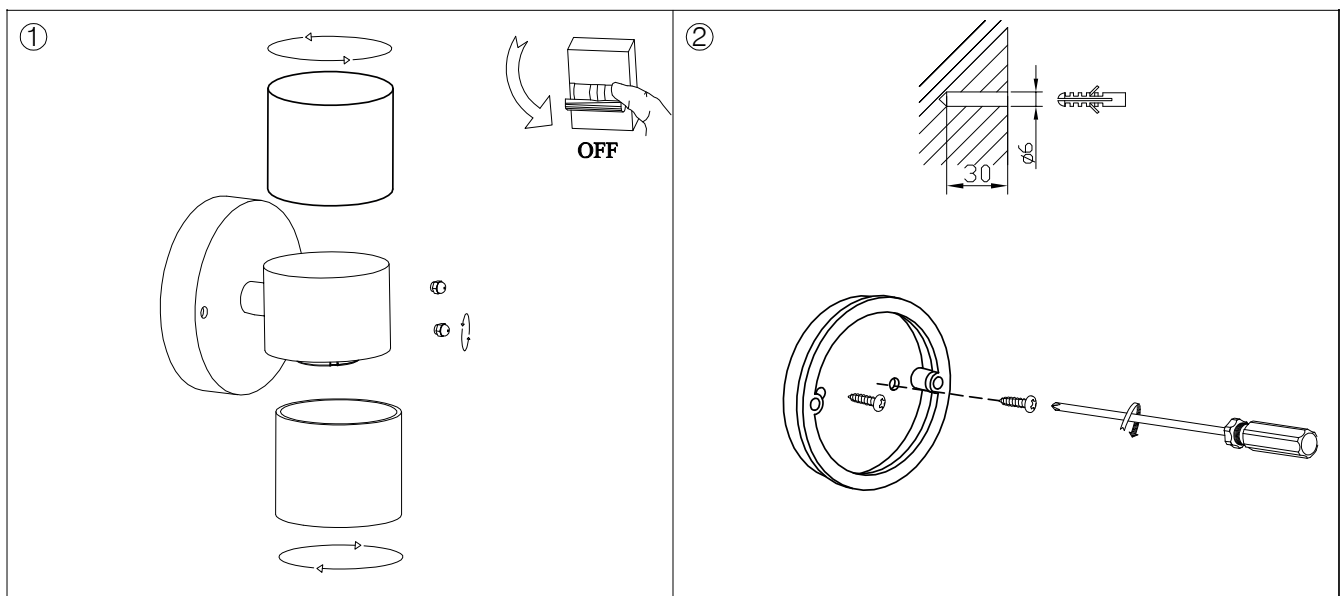
### USAGE GUIDELINES / MAINTENANCE

Any maintenance work must be done when the product is disconnected from power supply. Do not cover the product. Product may heat up to a higher temperature. Replacement of light source to be performed after the product cools down. (See diagram). The product must not be used if the protective cover is damaged. The construction of the product offers no resistance to specific conditions, e.g. due to the presence of defrosting substances or salt.

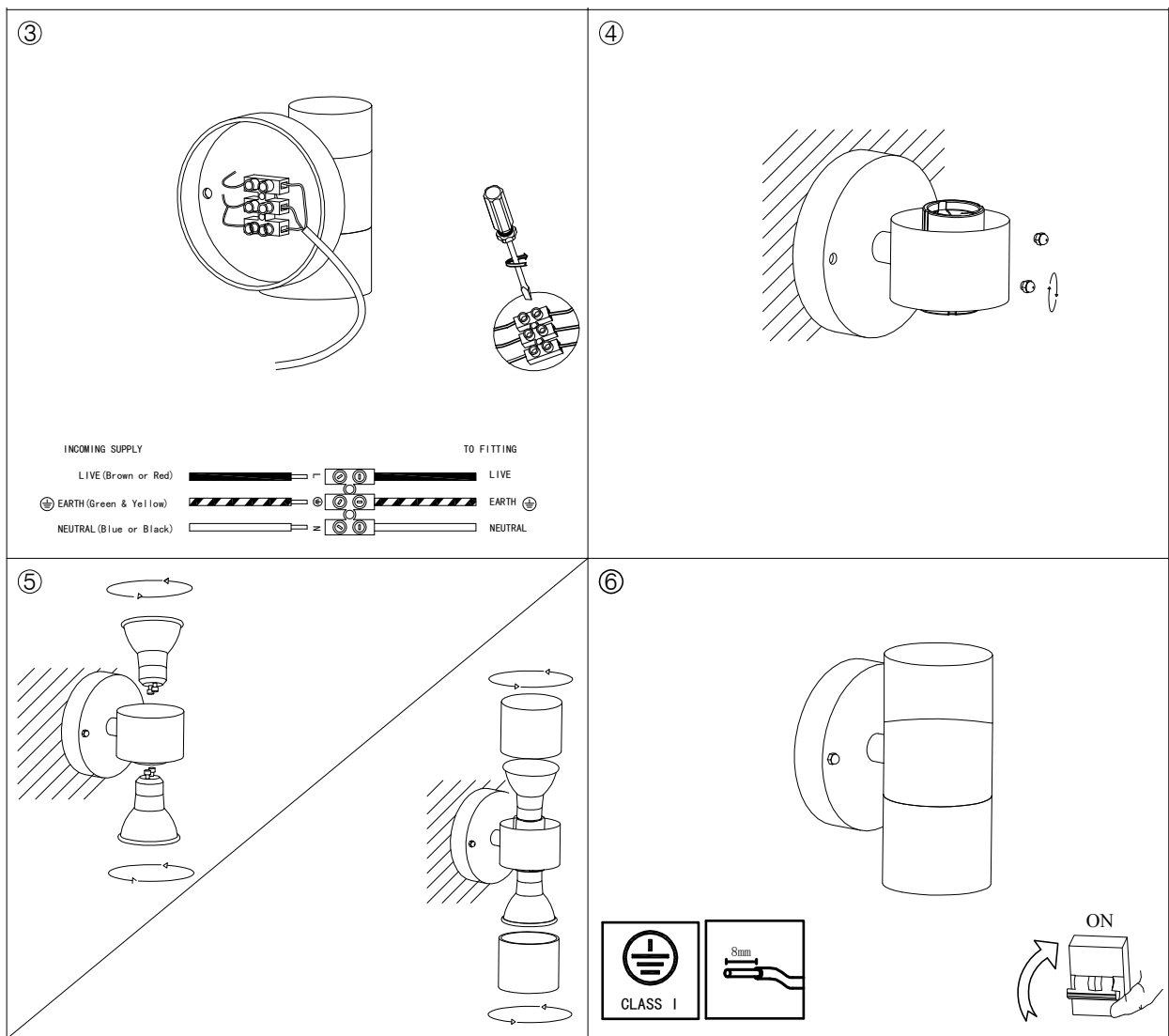
### COMMENTS / GUIDELINES

Failure to follow these instructions may result in electrical shock, physical injury and other material and non-material damage. SGD shall not be responsible for any damage resulting from the failure to follow these instructions.

## Mounting Diagram



PTO →

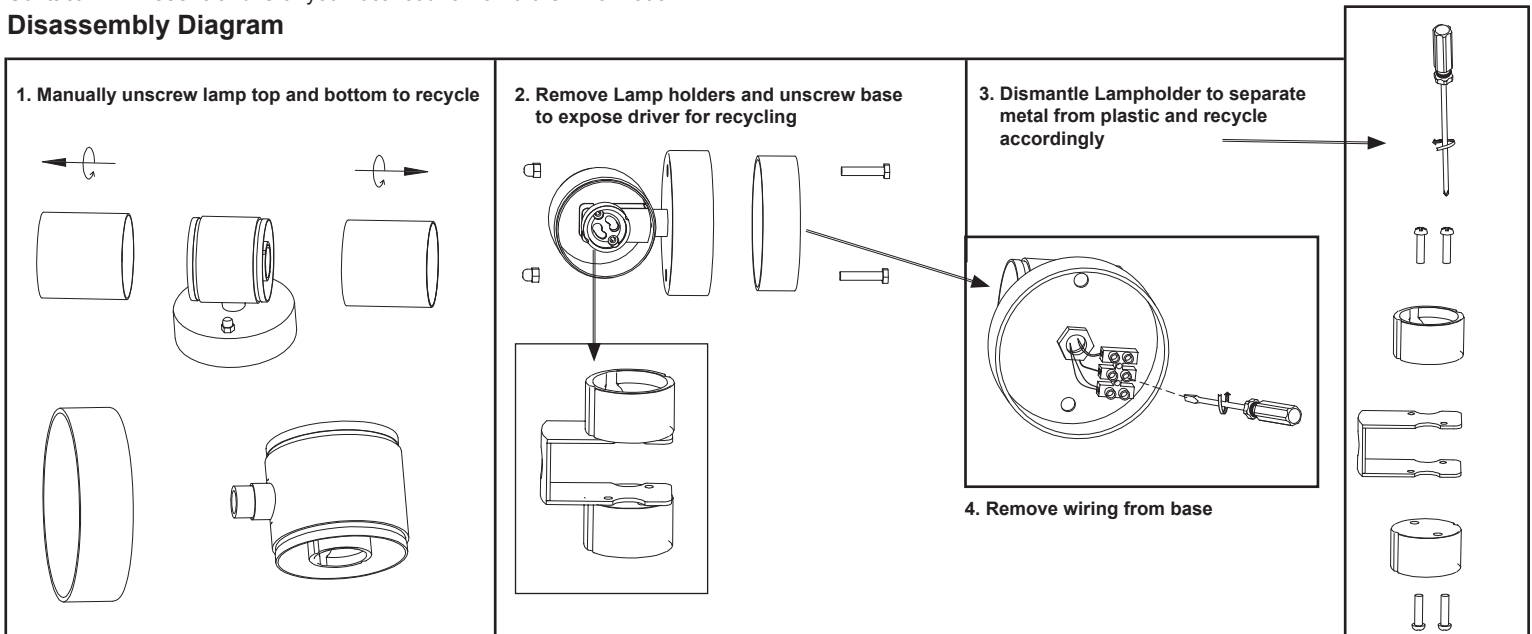


**PRODUCT END OF LIFE INSTRUCTION.**

This Lighting product is in the scope of EU 2019/2020 directive on Waste Electrical and Electronic Equipment (WEEE). This product must be disposed of according to the legislation. This document is intended for use by end of life recyclers or treatment facilities. It provides the basic information to assure an appropriate end of life treatment for the components and materials of the product. Please follow pictured diagram below showing how to dismantle the product into different components which should be disposed of orrectly. These components consist of plastic, metal and electronic materials. It is the responsibility of the end user to dispose of this product correctly.

Contact [www.weeeireland.ie](http://www.weeeireland.ie) or your local council for further information.

**Disassembly Diagram**



**For more information contact:**

Unit 7/8 Ashbourne Business Centre, Ballybin Road, Ashbourne, Co. Meath, Ireland, A84 YP58,  
**Phone:** 00353 1 835 7447

Unit 32 Junction One Business Park, Valley Road, Birkenhead, Merseyside, UK, CH41 7ED,  
**UK Ph:** 0330 551 7000

**Website:** [www.sgd.ie](http://www.sgd.ie)





## EU DECLARATION OF CONFORMITY

**Manufacturers Name:** Solas Geal Distribution  
Unit 7/8 Ashbourne Business Centre, Ballybin Road, Ashbourne, Co. Meath, A84 YP58.

**Declaration Number:**  
097-ECH-UP/DN,097-ECH-DN, 097-EBL-UP/DN,097-EBL-DN

This declaration of conformity is issued under the sole responsibility of the manufacturer.

**Products:**  
GU10 Stainless Steel & Black Up/Down Wall lights IP44 Class 1

**Model Number:**  
ECH-UP/DN, ECH-DN, EBL-UP/DN, EBL-DN

The product/model of the declaration described above is in conformity with the relevant  
Community harmonisation legislation:

**Low Voltage Directive (2014/35/EU)**

The product/model of the declaration described above is in conformity with the standards  
and technical specifications listed below:

EN60598-1:2015+A1:2018, EN60598-2-1:1989



*Signed:*

*Date:*

*Place of Issue: Republic of Ireland*

