



Installation Manual

Product Code: **CB65, CB110, BB110, BB65**

Stainless E27 Steel Bollard

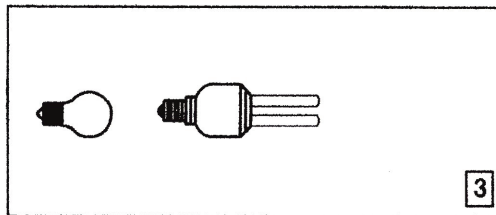
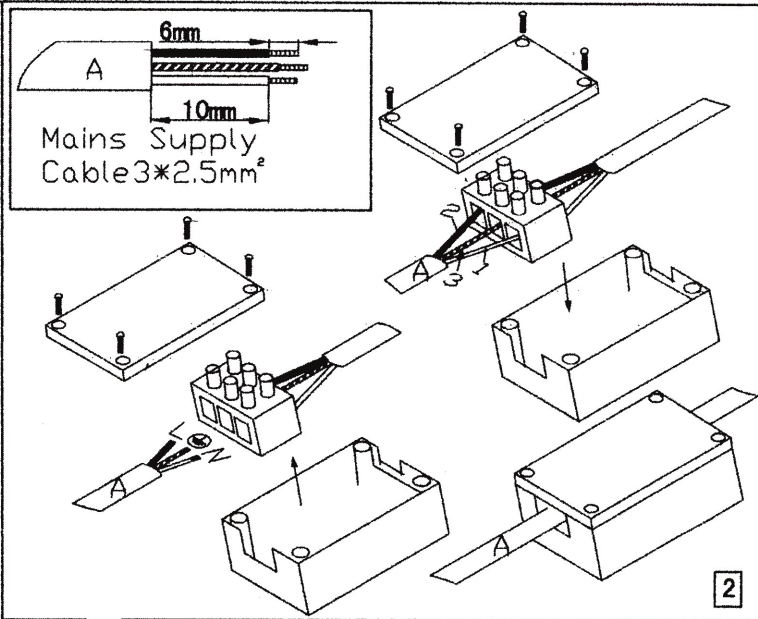
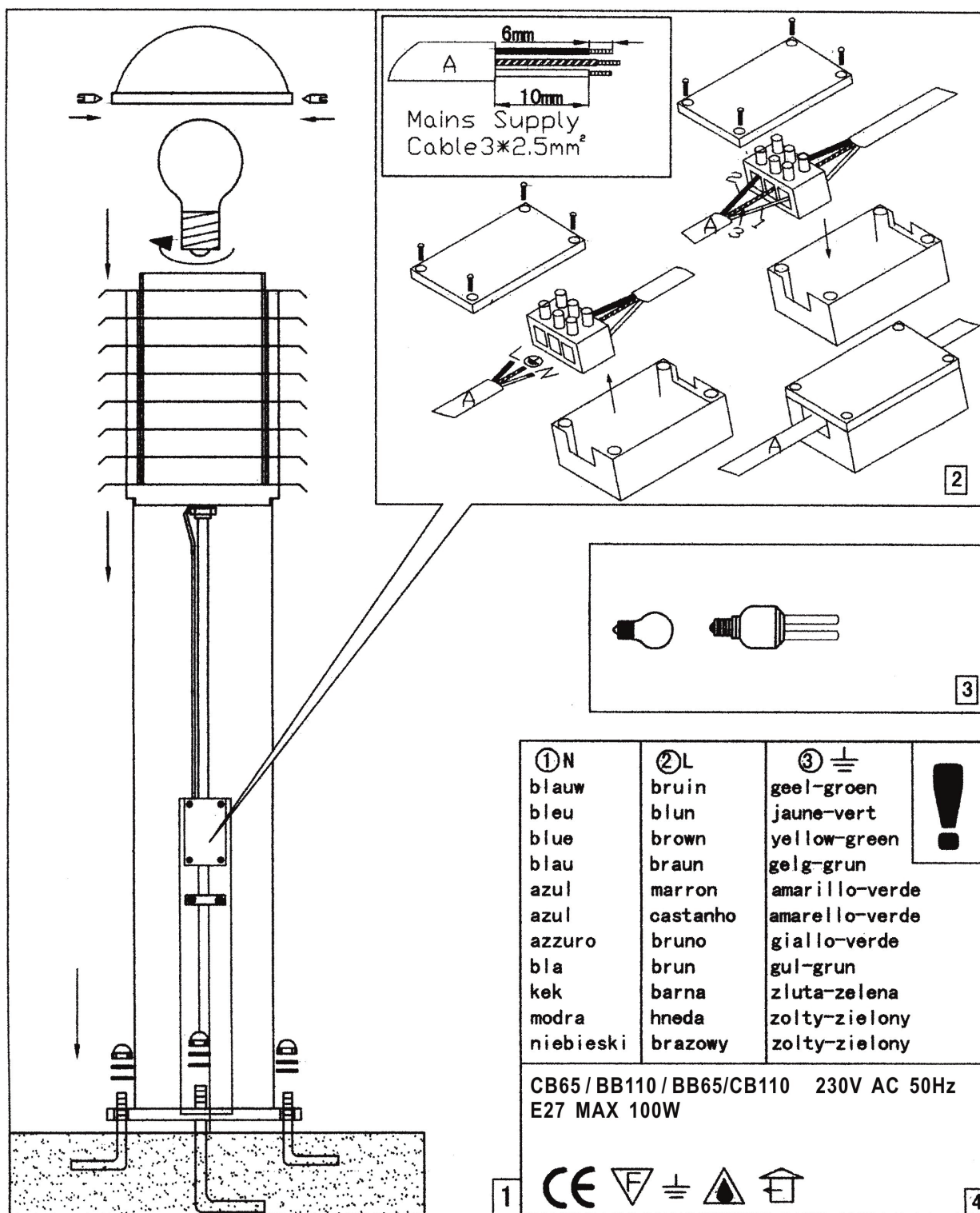
SPECIFICATION

110CM E27 Stainless Steel Bollard
65CM E27 Stainless Steel Bollard

- Max 100w
- Stainless Steel
- 3 Yr. Guarantee
- IP Rating: IP44
- Input Voltage: 220v
- Lamp not Included

65CM E27 Black Finish Bollard
110CM E27 Black Finish Bollard

- Max 100w
- Black Finish
- 3 Yr. Guarantee
- IP Rating: IP44
- Input Voltage: 220v
- Lamp not Included



① N	② L	③ \perp	!
blauw	bruin	geel-groen	
bleu	blun	jaune-vert	
blue	brown	yellow-green	
blau	braun	gelg-grun	
azul	marron	amarillo-verde	
azul	castanho	amarello-verde	
azzurro	bruno	giallo-verde	
bla	brun	gul-grun	
kek	barna	zluta-zelena	
modra	hneda	zolty-zielony	
niebieski	brazowy	zolty-zielony	

CB65/BB110/BB65/CB110 230V AC 50Hz
 E27 MAX 100W



PRODUCT END OF LIFE INSTRUCTION.

This Lighting product is in the scope of EU 2019/2020 directive on Waste Electrical and Electronic Equipment (WEEE). This product must be disposed of according to the legislation. This document is intended for use by end of life recyclers or treatment facilities. It provides the basic information to assure an appropriate end of life treatment for the components and materials of the product. Please follow pictured diagram showing how to dismantle the product into different components which should be disposed of correctly. These components consist of plastic, metal and electronic materials. It is the responsibility of the end user to dispose of this product correctly. www.weeeireland.ie or contact your local council for further information.



For more information contact:



Solas Geal Distribution

Unit 7/8 Ashbourne Business Centre, Ballybin Road, Ashbourne, Co. Meath, Ireland, A84 YP58,
Phone: 00353 1 835 7447

Unit 32 Junction One Business Park, Valley Road, Birkenhead, Merseyside, UK, CH41 7ED,
UK Ph: 0330 551 7000

Website: www.sgd.ie



EU DECLARATION OF CONFORMITY

Manufacturers Name: Solas Geal Distribution
Unit 7/8 Ashbourne Business Centre, Ballybin Road, Ashbourne, Co. Meath, A84 YP58.

Declaration Number:
013-BB110,013-BB65,013-CB110,013-CB65

This declaration of conformity is issued under the sole responsibility of the manufacturer.

Products:
Black and Chrome Garden Bollards 65cm & 110cm in height.

Model Number:
BB110, BB65, CB110, CB65

The product/model of the declaration described above is in conformity with the relevant
Community harmonisation legislation:

Low Voltage Directive (73/23/EEC)

The product/model of the declaration described above is in conformity with the below listed
harmonised standards and technical specifications listed below:



Signed:

Date:

Place of Issue: Republic of Ireland

