

# Product Information Sheet

COMMISSION DELEGATED REGULATION (EU) 2019/2015 with regard to energy labelling of light sources

**Supplier's name or trade mark:** Source

**Supplier's address:** SGD Limited, Unit 7/8 Ashbourne Business Centre, Ballybin Road, Ashbourne, Co. Meath. A84 YP58. Ireland.

**Model identifier:** BULKLED 15W

## Type of light source:

Lighting technology used:	LED	Non-directional or directional:	NDLS
Light source cap-type (or other electric interface)	85 SMD		
Mains or non-mains:	NMLS	Connected light source (CLS):	No
Colour-tuneable light source:	No	Envelope:	-
High luminance light source:	No		
Anti-glare shield:	No	Dimmable:	No

## Product parameters

Parameter	Value	Parameter	Value
-----------	-------	-----------	-------

### General product parameters:

Energy consumption in on-mode (kWh/1000 h), rounded up to the nearest integer	15	Energy efficiency class	F
Useful luminous flux ( $\phi_{use}$ ), indicating if it refers to the flux in a sphere (360°), in a wide cone (120°) or in a narrow cone (90°)	1 500 in Wide cone (120°)	Correlated colour temperature, rounded to the nearest 100 K, or the range of correlated colour temperatures, rounded to the nearest 100 K, that can be set	2 700 or 4 000 or 6 500
On-mode power ( $P_{on}$ ), expressed in W	15,0	Standby power ( $P_{sb}$ ), expressed in W and rounded to the second decimal	-
Networked standby power ( $P_{net}$ ) for CLS, expressed in W and rounded to the second decimal	-	Colour rendering index, rounded to the nearest integer, or the range of CRI-values that can be set	84
Outer dimensions	Height	Spectral power distribution in the	See image in last page
	Width		
			185

without separate control gear, lighting control parts and non-lighting control parts, if any (millimetre)	Depth	74	range 250 nm to 800 nm, at full-load	
Claim of equivalent power <sup>(a)</sup>		-	If yes, equivalent power (W)	-
			Chromaticity coordinates (x and y)	0,383 0,374
<b>Parameters for LED and OLED light sources:</b>				
R9 colour rendering index value		17	Survival factor	1,00
the lumen maintenance factor		-		

(a) : not applicable;

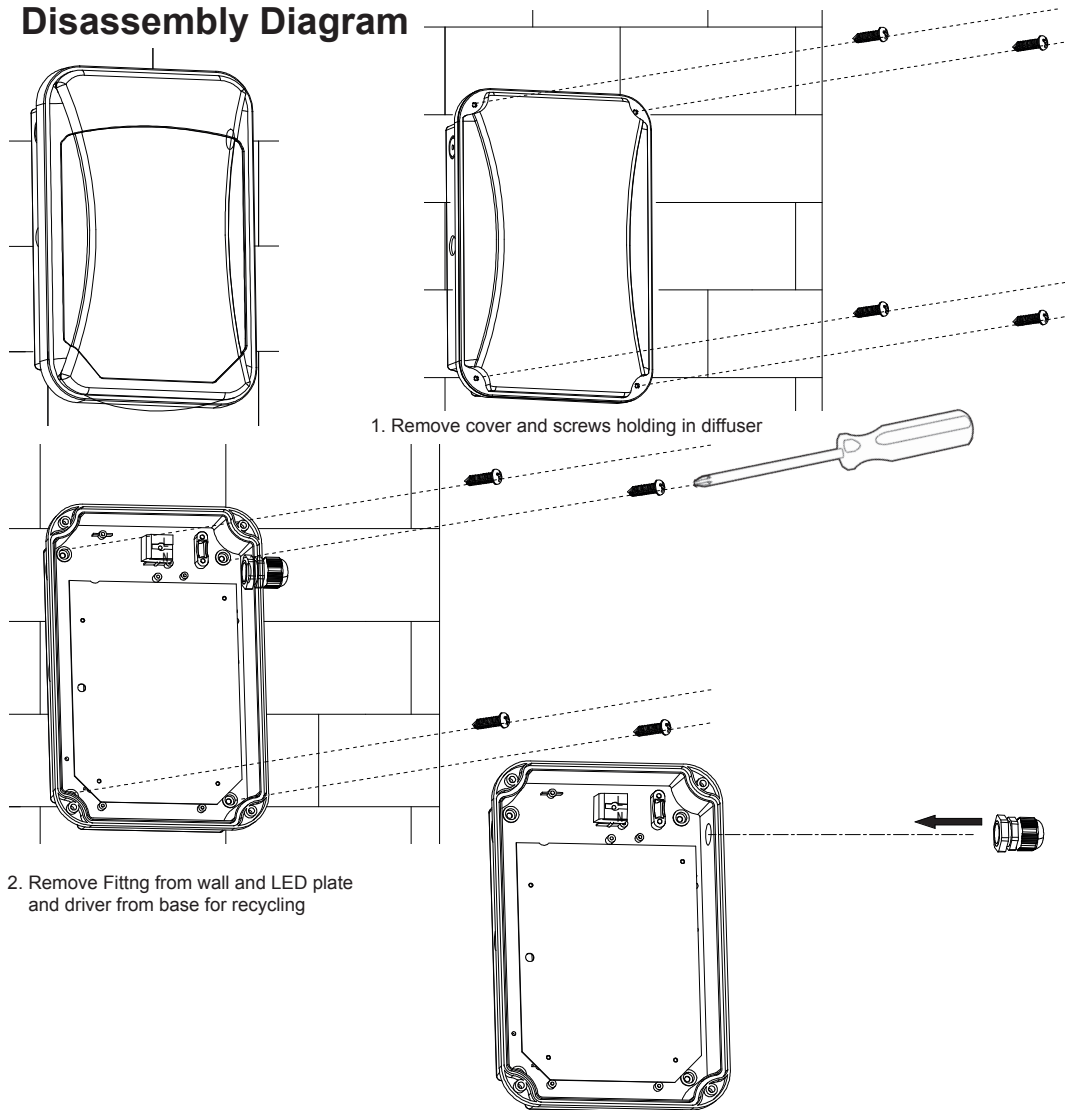
(b) : not applicable;

**Product end of life instruction.**

This Lighting product is in the scope of EU 2019/2020 directive on Waste Electrical and Electronic Equipment (WEEE). This product must be disposed according to the legislation. This document is intended for use by end of life recyclers or treatment facilities. It provides the basic information to assure an appropriate end of life treatment for the components and materials of the product. Please follow pictured diagram below showing how to dismantle the product into different components which should be disposed of correctly. These components consist of plastic, metal and electronic materials. It is the responsibility of the end user to dispose of this product correctly. [www.weeeireland.ie](http://www.weeeireland.ie) or contact your local council for further information.



**Disassembly Diagram**



**Installation Manual**

**BULK15WLED**  
**BULK15WLED+PC**



**For more information contact:**



Solas Geal Distribution

Unit 7/8 Ashbourne Business Centre, Ballybin Road, Ashbourne, Co. Meath, Ireland, A84 YP58,  
Phone: 00353 1 835 7447

Unit 32 Junction One Business Park, Valley Road, Birkenhead, Merseyside, UK, CH41 7ED,  
UK Ph: 0330 551 7000

Website: [www.sgd.ie](http://www.sgd.ie)



## Instructions and Warnings

Please read the instructions carefully before use to ensure safe operation of this fitting and retain the instructions for future reference.

- This product should only be installed by a qualified electrician.
- This is a Class 1 fitting and must be earthed
- Install in accordance with IEE Wiring Regulations and current Building Regulations.
- To prevent electrocution, switch off the Mains supply before installing or maintaining this fitting.
- This light fitting should be connected to a circuit with a 30mA RCD fitted.
- If replacing an existing fitting, make a careful note of the connections.
- This fitting contains non-replaceable parts and cannot be serviced. If damage occurs, the fitting should be discarded.

## Specification

Ingress Protection: IP65  
Not Suitable for dimming  
Voltage: 240v ~ 50Hz  
Lamp: 15W SMD 5360 LEDS  
CCT Choice: 2700k, 400k, 6500k

## Layout

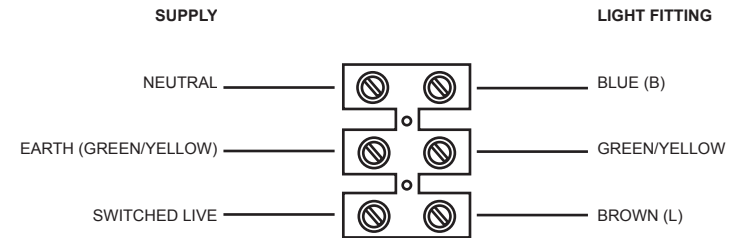
- Plan the desired layout of this fitting carefully, ensuring the cables will reach the distance between the junction box and the light fitting.
- Avoid locating any cables in positions that would cause a hazard. Position cables and junction boxes (not supplied) away from areas where they may be at risk from being cut, trapped or damaged.
- The mains supply cable must have a minimum cross sectional area of 1.0mm<sup>2</sup>
- Cables must be protected using suitable conduit or plastic trunking.
- The products can be wall or ceiling mounted.

## Installation

Existing fittings must be completely removed before installation of a new product. Before removing the existing fittings, **carefully note the position of each set of wires and holes through the product**, or if fitting to a ceiling, ensure there is a joist at the point of fixing to support the weight of the product. Take care to avoid any concealed wiring or pipes. The correct fixings should be used for brick, cavity walls or plasterboard.

## Wiring

Remove the cover from the terminal block fitting, connect to the connection block inside the product after having correctly identified the wiring from your existing light as per the diagram.



## Check that

- You have correctly identified the wires
- The connections are tight
- No loose strands have been left out of the connection block

## Commissioning

- Ensure that the screws and cable entry points are sealed to maintain the IP rating of the product
- Refit the shade and outer bezel and secure with the screws. Ensure the screws are correctly located
- Replace fuse or circuit breaker and switch on. Your light is now ready for use

## Fitting/Replacing Bulbs

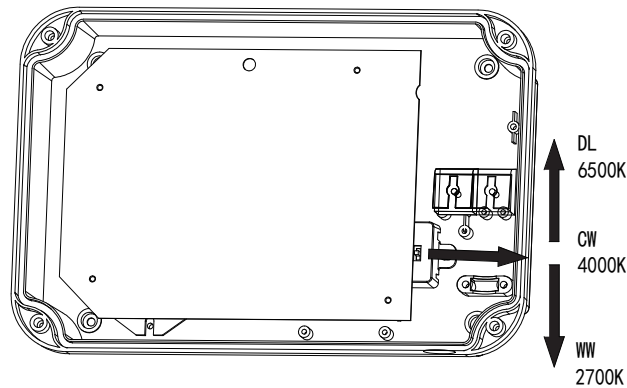
This system contains non-replaceable parts and cannot be serviced. If damage occurs, the part should be scrapped

We recommend cleaning with a soft dry cloth. Do not use solvents or abrasive cleaners as these could damage the fitting. For your safety, always switch off the supply before cleaning.

## Recycling

Waste electrical products should not be disposed of with household waste. Please recycle where facilities exist. Check with your local Authority or retailer for recycling advice.

CCT OPTIONS



# Spectrum Test Report

Sample : BULK LED 15W  
Sample No. : 21  
Manufacturer : SGD LIMITED

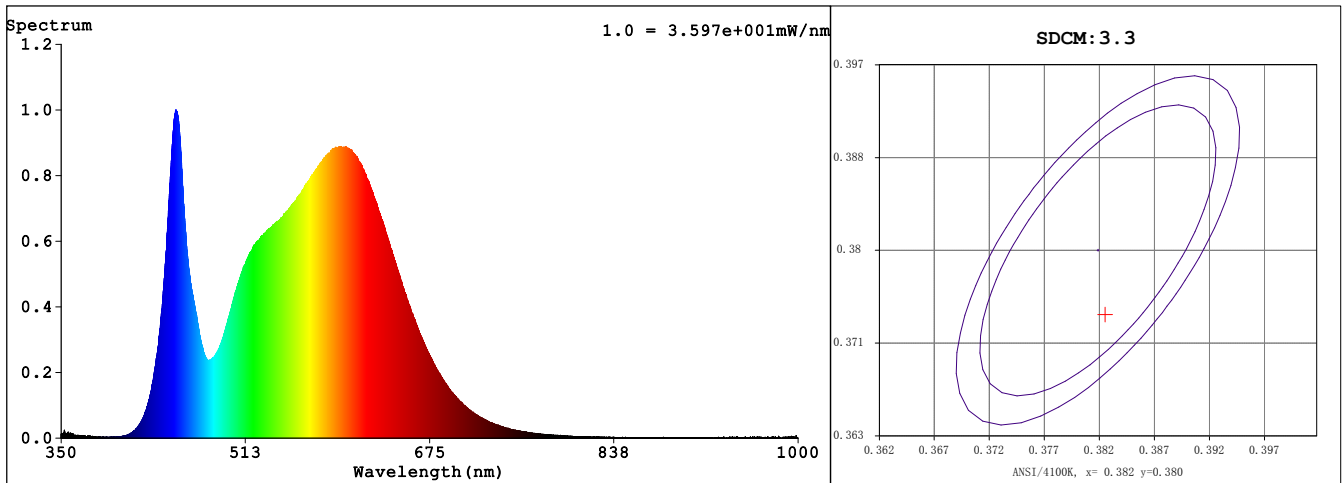
Date : 2021-09-27 08:37:26  
Sam. Status :  
Instrument : HAAS-2000

## Test Condition

Temperature : 25.3Deg  
WL Range : 350nm-1000nm  
Test Mode : Fast Test

RH : 65.0%  
IP : 53273 (81%)  
T : 217 ms  
Sensitivity : High

## Spectrum



## Colorimetric Parameters

Chromaticity Coordinate:  $x = 0.3825$   $y = 0.3739$  /  $u' = 0.2276$   $v' = 0.5006$  ( $duv = -1.95e-03$ )

CCT= 3923K Prcp WL:  $L_d = 580.5\text{nm}$  Purity=27.0%

Peak WL:  $L_p = 451\text{nm}$  FWHM: =21.9nm Ratio:R=19.0% G=77.5% B=3.5%

Render Index:  $R_a = 84.4$

R1 =84 R2 =90 R3 =94 R4 =84 R5 =83 R6 =86 R7 =87  
R8 =67 R9 =17 R10=76 R11=83 R12=64 R13=85 R14=97 R15=78

## Photometric & Radiometric Parameters

Flux = 1824.3 lm Eff. : 120.31 lm/W Fe = 5.6356 W

## Electrical parameters

V = 230.3 V I = 0.08171 A P = 15.16 W PF = 0.8058 F=49.99 Hz



## EU DECLARATION OF CONFORMITY

**Manufacturers Name:** Solas Geal Distribution  
Unit 7/8 Ashbourne Business Centre, Ballybin Road, Ashbourne, Co. Meath, A84 YP58.

**Declaration Number:**  
024-BULKLED15W,024-BULKLED15W WHITE,  
024- BULKLED15W WHITE+PC, 024- BULKLED15W+PC

This declaration of conformity is issued under the sole responsibility of the manufacturer.

**Products:**  
LED BULKHEAD 15WATT BLACK & WHITE, IP65 With and without photocell (PC)  
Model Number: BULKLED15W, BULKLED15W WHITE, BULKLED15W WHITE+PC,  
BULKLED15W+PC

The product/model of the declaration described above is in conformity with the relevant  
Community harmonisation legislation:

**Low Voltage Directive (2014/35/EU)**  
**EMC (2014/30/EU)**

The product/model of the declaration described above is in conformity with the standards  
and technical specifications listed below:

EN55015:2013+A1:2015, EN61547:2009, EN61000-3-2:2014, EN6100-3-3:2013, EN60598-  
1:2015; A1,EN60598-2-1989



*Signed:*

*Date:*

*Place of Issue: Republic of Ireland*

