



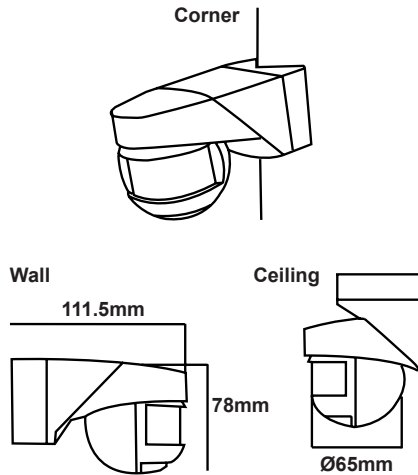
3 in 1 Infrared Motion Sensor

Code	Description
SPIR 3MOD-WH	180° 3 In 1 Mounting Options PIR Infrared Motion Sensor, White Finish
SPIR 3MOD-BL	180° 3 In 1 Mounting Options PIR Infrared Motion Sensor, Black Finish

FEATURES:

- Power Source: 220v/AC-240v/AC
- Power Frequency: 50/60Hz
- Ambient Light: <10-2000LUX (adjustable)
- Time-Delay: min: 10sec±3sec / max: 15min±3min
- Rated Load: 2000W (incandescent lamp)
1000W (energy saving lamp)
- Detection Distance: 12m max (<24°C)
- Detection Range: 180°+360°
- Working Temperature: -20~40°C
- Working Humidity: <93%RH
- Installation Height: 1.8m~2.5m
- Power Consumption: <0.9W (work) / <0.9W (static)
- Detection Moving Speed: 0.6~1.5m/s
- IP Rating: IP54
- Available in Black / White

3 Mounting Options



Solas Geal Distribution Ltd, Unit 7 & 8 Ashbourne Business Centre, Ballybin Road, Ashbourne, Co. Meath, A84 YP58, Ireland.
 SGD Solas Geal UK Ltd, Unit 32 Junction One Business Park, Valley Road, Birkenhead, Wirral, Merseyside, UK, CH41 7ED.

Tel: +353 1 8357447. UK Ph: 0330 551 7000. Fax: 00353 1 8357448. Email: info@sgd.ie. Website: www.sgd.ie