



# Emergency Recessed Spot Light

Code:	Description
<b>SEM-REDL</b>	<b>Self Test Emergency Recessed Spot</b>

### SEM-REDL



- Power: 3w
- Lumen: Mains Mode 115Lm  
Em Mode 115Lm
- Colour Temp: 5500k
- IP Rating: IP20
- 5 Yr. Guarantee
- Installation: Non maintained
- Self Testing
- Compliant with BS EN 62034  
BS EN 60598-2-22:2014 +  
A1:2020
- Comes with 3 Bezels: White,  
Black, Matt Chrome

### BATTERY

- 1500mAh 3.2V
- Li-FeP04 (Lithium Iron  
Phosphate) Battery
- 3 Hours Duration
- 3 Years Warranty



SEM-REDL

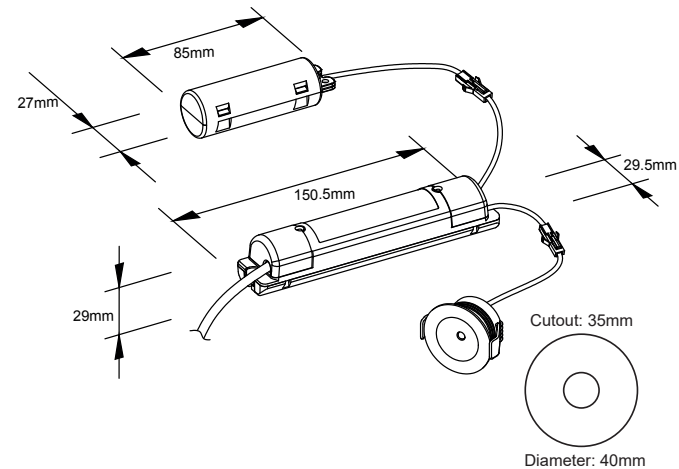
3 Bezels Supplied

### INDOOR USE

- IP20
- Exits
- Corridors
- Escape Routes

### COLOUR TEMP

5500k



Solas Geal Distribution Ltd, Unit 7 & 8 Ashbourne Business Centre, Ballybin Road, Ashbourne, Co. Meath, A84 YP58, Ireland.  
 SGD Solas Geal UK Ltd, Unit 32 Junction One Business Park, Valley Road, Birkenhead, Wirral, Merseyside, UK, CH41 7ED.

Tel: +353 1 8357447. UK Ph: 0330 551 7000. Fax: 00353 1 8357448. Email: info@sgd.ie. Website: www.sgd.ie