



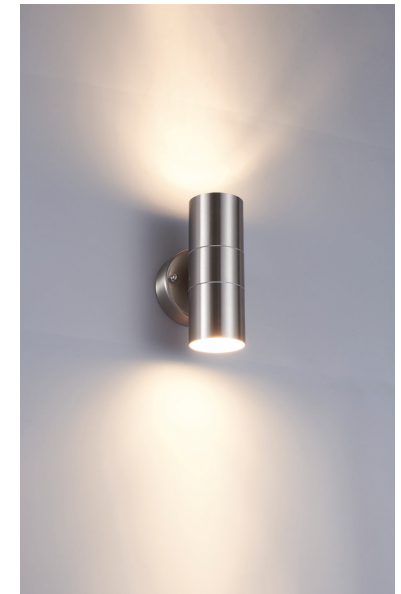
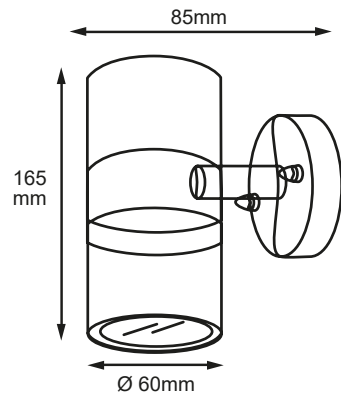
Gu10 Stainless Steel Up/Down Wall Light

Code	Description
ECH-UP/DN	GU10 Stainless Steel Up/Down Wall Light
EBL-UP/DN	GU10 Black Up/Down Wall Light



FEATURES:

- Stainless Steel or black finish
- Power: GU10 Max 2 x 35w
- Input Voltage: 100-240V AC
- 3 Yr. Guarantee
- IP44 Rating
- Class 1



Solas Geal Distribution Ltd, Unit 7 & 8 Ashbourne Business Centre, Ballybin Road, Ashbourne, Co. Meath, A84 YP58, Ireland.
 SGD Solas Geal UK Ltd, Unit 32 Junction One Business Park, Valley Road, Birkenhead, Wirral, Merseyside, UK, CH41 7ED.

Tel: +353 1 8357447. UK Ph: 0330 551 7000. Fax: 00353 1 8357448. Email: info@sgd.ie. Website: www.sgd.ie